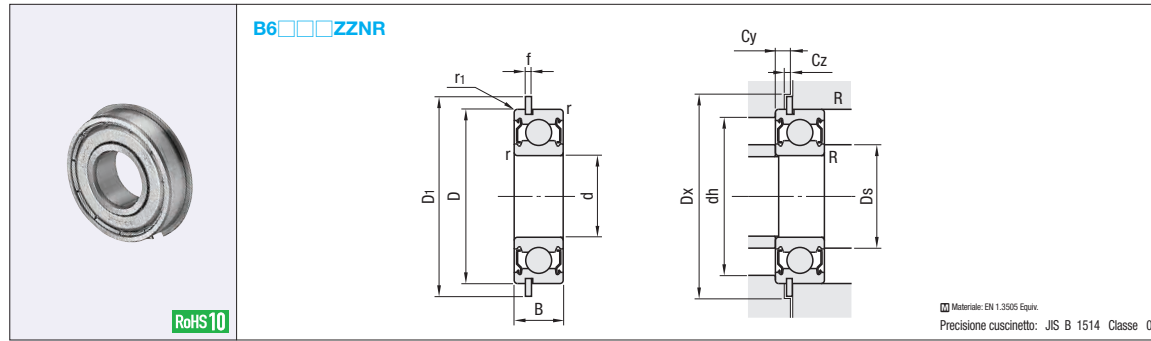


Cuscinetti a sfere a gola profonda con anelli di sicurezza

Doppia schermatura

Cuscinetti a sfere a gola profonda in acciaio inox con anelli di sicurezza

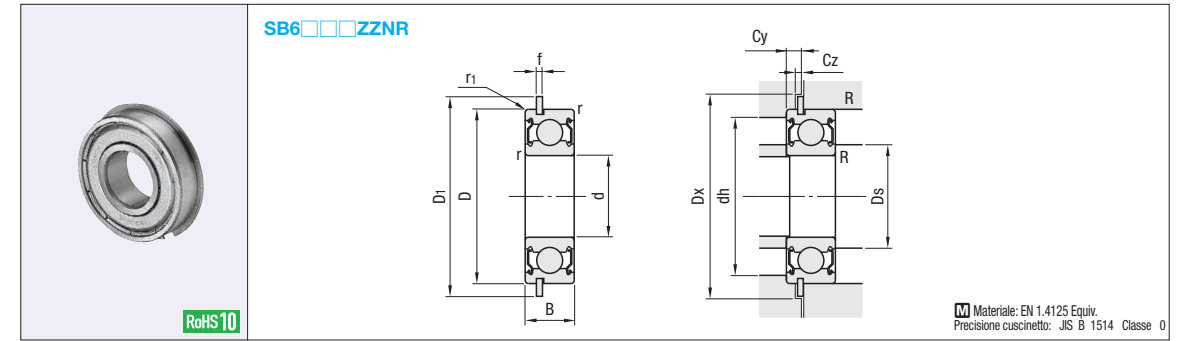
Doppia schermatura



Codice componente	d	D	B	r (min)	r1 (min)	Coefficiente di carico		Vel. rotazione ammessa giri/min (Riferimento)	Dim. anello di sicurezza		Dimensioni relative						Massa (g) (Riferimento)	Prezzo unitario	
						Cr (dinamico) kN	Cor (statico) kN		D1 (max)	f (max)	Ds (min)	Ds (max)	dh (max)	R (max)	Dx (min)	Cy (max)			Cz (min)
B6900ZZNR	10	22	6	0.3	0.3	2.7	1.27	31000	24.8	0.7	12	13	20	0.3	25.5	1.5	0.7	10	
B6000ZZNR	10	26	8	0.3	0.3	4.55	1.96	28000	28.7	0.84	12	13.5	24	0.3	29.4	1.9	0.9	19	
B6200ZZNR	10	30	9	0.6	0.6	5.1	2.39	24000	34.7			16	26	0.6	35.5	2.9	1.2	32	
B6300ZZNR	10	35	11	0.6	0.5	8.1	3.45	22000	39.7	1.12		16.5	31		40.5	2.9		52	
B6901ZZNR	12	24	6	0.3	0.3	2.89	1.46	28000	26.8	0.7	14	15	22	0.3	27.5	1.5	0.7	11	
B6001ZZNR	12	28	8	0.3	0.3	5.1	2.37	24000	30.7	0.84		16	26		31.5	1.9	0.9	21	
B6201ZZNR	12	32	10	0.6	0.6	6.8	3.05	22000	36.7	1.12	16	17	28	0.6	37.5	2.9	1.2	37	
B6301ZZNR	12	37	12	1	0.5	9.7	4.2	20000	41.3	1.12		18	32	1	42	2.9		60	
B6902ZZNR	15	28	7	0.3	0.3	4.35	2.26	23000	30.8	0.85	17		26	0.3	31.5	1.9	0.9	16	
B6002ZZNR	15	32	9	0.3	0.3	5.6	2.83	21000	36.7	1.12		19	30		37.5			31	
B6202ZZNR	15	35	11	0.6	0.6	7.65	3.75	20000	39.7	1.12	19	20	31	0.6	40.5	2.9	1.2	45	
B6302ZZNR	15	42	13	1	0.5	11.4	5.45	17000	46.3	1.12	20	22.5	37	1	47			83	
B6903ZZNR	17	30	7	0.3	0.3	4.6	2.55	21000	32.8	0.85	19	20	28	0.3	33.5	1.9	0.9	17	
B6003ZZNR	17	35	10	0.3	0.3	6	3.25	19000	39.7			21	33	0.3	40.5			41	
B6203ZZNR	17	40	12	0.6	0.6	9.55	4.8	17000	44.6	1.12	21	22	36	0.6	45.5	2.9	1.2	65	
B6303ZZNR	17	47	14	1	0.5	13.6	6.65	15000	52.7		22	25.5	42	1	53.5	3.3		113	
B6904ZZNR	20	37	9	0.3	0.3	6.4	3.7	18000	39.8	0.85		24	35	0.3	40.5	2.3	0.9	38	
B6004ZZNR	20	42	12	0.6	0.6	9.4	5	16000	46.3			24	38	0.6	47	2.9		67	
B6204ZZNR	20	47	14	1	1	12.8	6.6	14000	52.7	1.12		25	42	1	53.5	3.3	1.2	104	
B6304ZZNR	20	52	15	1.1	0.5	15.9	7.9	14000	57.9			26.5	45.5		58.5			145	
B6905ZZNR	25	42	9	0.3	0.3	7.05	4.55	15000	44.8	0.85	27	29	40	0.3	45.5	2.3	0.9	44	
B6005ZZNR	25	47	12	0.6	0.6	10.1	5.85	14000	52.7			29	43	0.6	53.5	2.9		80	
B6205ZZNR	25	52	15	1	1	14	7.85	13000	57.9	1.12		30	47		58.5	3.3	1.2	133	
B6305ZZNR	25	62	17	1.1	0.5	20.6	11.2	11000	67.7	1.7	31.5	36	55.5	1	68.5	4.6	1.7	235	
B6906ZZNR	30	47	9	0.3	0.3	7.25	5	14000	49.8	0.85	32	34	45	0.3	50.5	2.3	0.9	52	
B6006ZZNR	30	55	13	1	1	13.2	8.3	12000	60.7	1.12		35	50		61.5	2.9	1.2	116	
B6206ZZNR	30	62	16	1	1	19.5	11.3	11000	67.7	1.7		39	57	1	68.5	4.6	1.7	199	
B6306ZZNR	30	72	19	1.1	1.1	26.7	15	9500	78.6			36.5	65.5		80			345	
B6907ZZNR	35	55	10	0.6	0.6	10.6	7.25	12000	57.8	0.85	39	39	51	0.6	58.5	2.3	0.9	75	
B6007ZZNR	35	62	14	1	1	16	10.3	10000	67.7			40	57	1	68.5	3.4	1.7	151	
B6207ZZNR	35	72	17	1.1	1.1	25.7	15.3	9500	78.6	1.7		41.5	65.5		80	4.6		284	
B6908ZZNR	40	62	12	0.6	0.6	13.7	10	11000	64.8	0.85	44	46	58	0.6	65.5	2.3	0.9	112	
B6008ZZNR	40	68	15	1	0.5	16.8	11.5	9200	74.6			45	63		76	3.8		190	
B6208ZZNR	40	80	18	1.1	1.1	29.1	17.9	8500	86.6			46.5	73.5		88	4.6		366	
B6009ZZNR	45	75	16	1	1	20.9	15.2	9000	81.6	1.7		50	70	1	83	3.8	1.7	241	
B6209ZZNR	45	85	19	1.1	1.1	31.5	20.4	7500	91.6			51.5	78.5		93	4.6		420	
B6010ZZNR	50	80	16	1	1	21.8	16.6	8500	86.6			55	75		88	3.8		261	
B6210ZZNR	50	90	20	1.1	1.1	35	23.2	7100	96.5	2.46		56.5	83.5		98	5.4	2.5	459	

kgf=Nx0.101972

Ordering Example **B6900ZZNR**



Codice componente	d	D	B	r (min)	r1 (min)	Coefficiente di carico		Vel. rotazione ammessa giri/min (Riferimento)	Dim. anello di sicurezza		Dimensioni relative						Massa (g) (Riferimento)	Prezzo unitario	
						Cr (dinamico) kN	Cor (statico) kN		D1 (max)	f (max)	Ds (min)	Ds (max)	dh (max)	R (max)	Dx (min)	Cy (max)			Cz (min)
SB6900ZZNR	10	22	6	0.3	0.3	2.7	1.27	31000	24.8	0.7	12	13	20	0.3	25.5	1.5	0.7	10	
SB6000ZZNR	10	26	8	0.3	0.3	4.55	1.96	28000	28.7	0.84	12	13.5	24	0.3	29.4	1.9	0.9	19	
SB6200ZZNR	10	30	9	0.6	0.6	5.1	2.39	24000	34.7	1.12		16	26	0.6	35.5	2.9	1.2	32	
SB6901ZZNR	12	24	6	0.3	0.3	2.89	1.46	28000	26.8	0.7	14	15	22	0.3	27.5	1.5	0.7	11	
SB6001ZZNR	12	28	8	0.3	0.3	5.1	2.39	24000	30.7	0.84		16	26		31.5	1.9	0.9	21	
SB6201ZZNR	12	32	10	0.6	0.6	6.8	3.05	22000	36.7	1.12	16	17	28	0.6	37.5	2.9	1.2	37	
SB6902ZZNR	15	28	7	0.3	0.3	4.3	2.25	23000	30.8	0.85	17		26	0.3	31.5	1.9	0.9	16	
SB6002ZZNR	15	32	9	0.3	0.3	5.6	2.84	21000	36.7	1.12		19	30		37.5			31	
SB6202ZZNR	15	35	11	0.6	0.6	7.65	3.75	20000	39.7	1.12	19	20	31	0.6	40.5	2.9	1.2	45	
SB6903ZZNR	17	30	7	0.3	0.3	4.6	2.56	21000	32.8	0.85	19	20	28	0.3	33.5	1.9	0.9	17	
SB6003ZZNR	17	35	10	0.3	0.3	6	3.25	19000	39.7			21	33	0.3	40.5			41	
SB6203ZZNR	17	40	12	0.6	0.6	9.6	4.8	17000	44.6	1.12	21	22	36	0.6	45.5	2.9	1.2	65	
SB6904ZZNR	20	37	9	0.3	0.3	6.4	3.7	18000	39.8	0.85	22	24	35	0.3	40.5	2.3	0.9	38	
SB6004ZZNR	20	42	12	0.6	0.6	9.4	5.05	16000	46.3			24	38	0.6	47	2.9		67	
SB6204ZZNR	20	47	14	1	1	12.8	6.65	14000	52.7	1.12		25	42	1	53.5	3.3	1.2	104	
SB6905ZZNR	25	42	9	0.3	0.3	7	4.55	15000	44.8	0.85	27	29	40	0.3	45.5	2.3	0.9	44	
SB6005ZZNR	25	47	12	0.6	0.6	10.1	5.85	14000	52.7			29	43	0.6	53.5	2.9		80	
SB6205ZZNR	25	52	15	1	1	14	7.9	13000	57.9	1.12		30	47		58.5	3.3	1.2	133	
SB6006ZZNR	30	55	13	1	1	13.2	8.3	12000	60.7			35	50		61.5	2.9		116	
SB6206ZZNR	30	62	16	1	1	19.5	11.3	11000	67.7			35	57	1	68.5	4.6		199	
SB6007ZZNR	35	62	14	0.5	0.5	16	10.3	10000	67.7	1.7		40	57		68.5	3.4	1.7	151	
SB6008ZZNR	40	68	15	0.5	0.5	16.8	11.6	9200	74.6			45	63		76	3.8		190	

kgf=Nx0.101972

Ordering Example **SB6200ZZNR**