

Package Sales Information

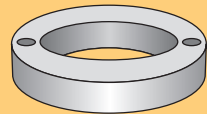
To satisfy the customers' requirements, ejector pins, locating rings, cooling items and dowel pins have begun to sell in packages.

By **package** sales
The price is reduced!! **PRICE DOWN OFF**

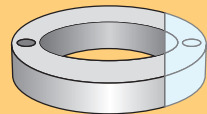
Comparison of unit prices Ex. LRBS60-15

Usual volume discount

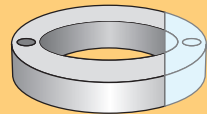
1pc. @650 yen
Total 650 yen



10pcs. @617 yen
Total 6,170 yen



20pcs. @617 yen
Total 12,340 yen



Package sales

Bulk buying of the same size
Benefits you greatly!

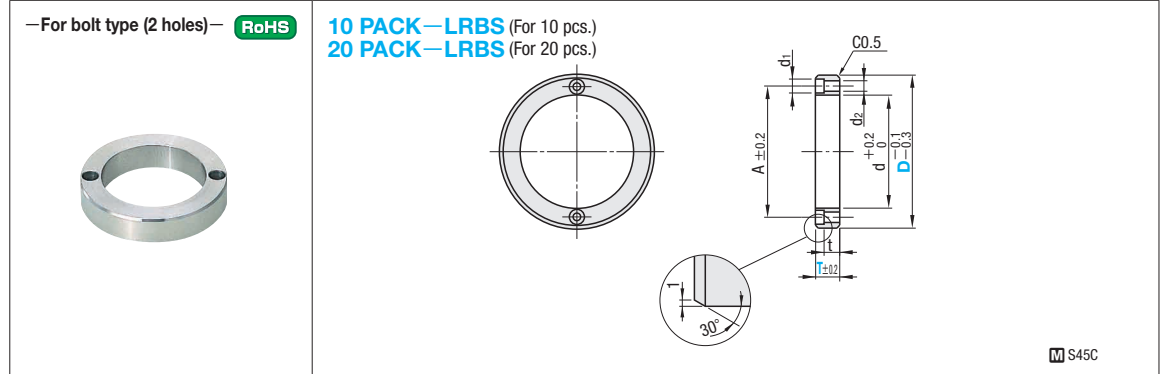
10pcs. @460 yen
Total 4,600 yen

20pcs. @405 yen
Total 8,100 yen

25% Price cut

34% Price cut

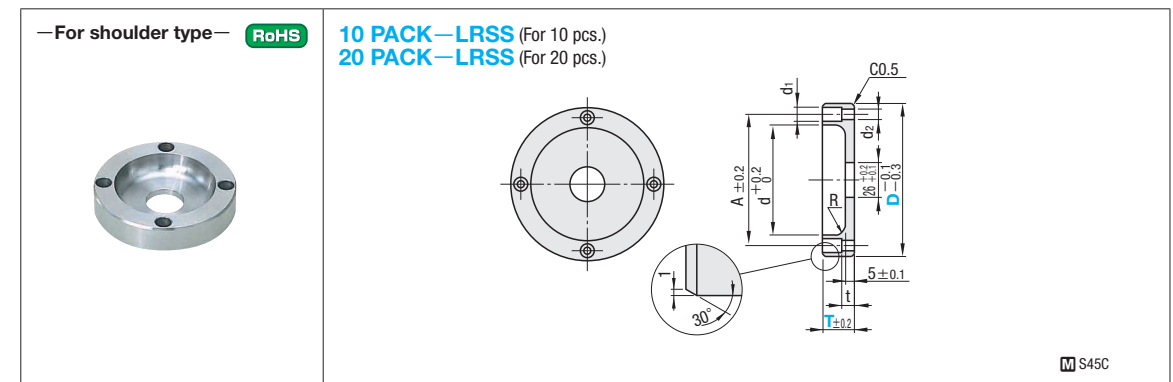
Order	Part Number				T
	PACK	Type	D		
	(For 10 pcs.) 10 PACK	-LRBS	60	15	
	(For 20 pcs.) 20 PACK	-LRBS	100	20	



Applicable bolts	Bolt hole		t	d	A	Part Number			U/Price	
	d2	d1				PACK	Type	D	T	10 PACK
M5	5.5	9	5	40	50	10 PACK 20 PACK	LRBS	60	15	Quotation
M6	6.5	11	8	70	85			100	15 20	

Order	Part Number				T
	PACK	Type	D		
	(For 10 pcs.) 10 PACK	-LRBS	60	15	
	(For 20 pcs.) 20 PACK	-LRBS	100	20	

Days to Ship **Quotation**



Applicable bolts	Bolt hole		t	R	d	A	Part Number			U/Price	
	d2	d1					PACK	Type	D	T	10 PACK
M6	6.5	11	8	5	70	85	10 PACK 20 PACK	LRSS	100	15	Quotation
				10						20	

Order	Part Number				T
	PACK	Type	D		
	(For 10 pcs.) 10 PACK	-LRSS	100	15	
	(For 20 pcs.) 20 PACK	-LRSS	100	20	

Days to Ship **Quotation**