

# EXTRA PRECISION POSITIONING STRAIGHT BLOCK SETS

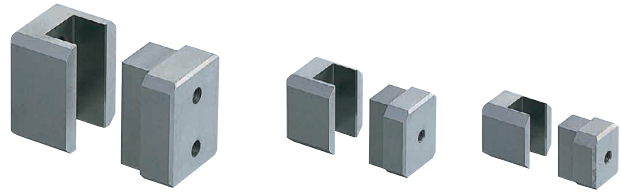
— PL INSTALLATION TYPE —

# EXTRA PRECISION POSITIONING STRAIGHT BLOCK SETS

— OIL GROOVE TYPE PL INSTALLATION TYPE —

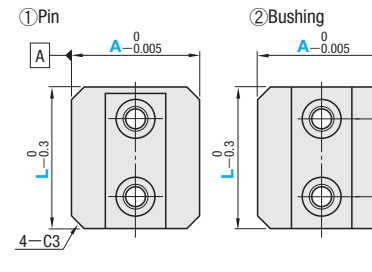
Ⓜ Non JIS material definition is listed on P.1351 - 1352

RoHS

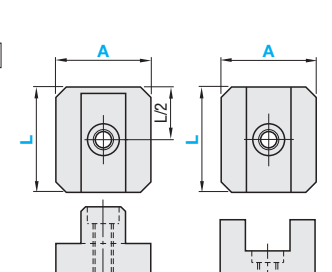


V		Positioning precision (Clearance)	V dimension symmetry against A/B plane
① Pin	② Bushing		
0 -0.005	+0.01 +0.005	0.005 0.015	0.003 or less

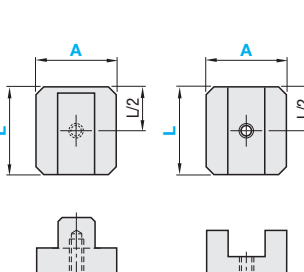
■ Mounting bolt hole: 2 (L30~50)



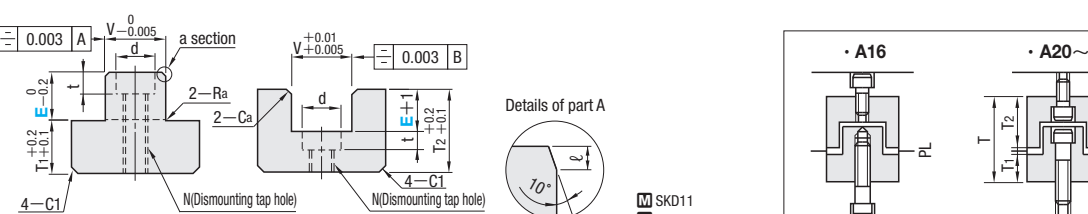
■ Mounting bolt hole: 1 (L25)



■ Mounting bolt hole: 1 (L16 · 20)



Details of part A



SKD11 58~62HRC

V	T	T <sub>1</sub>	T <sub>2</sub>	ℓ	Ra	Ca	Bolt hole		Installation bolts	Tap N	No. of bolt holes	Part Number Type	L Selection	E	U/Price 1~9
							ℓ <sub>1</sub>	ℓ <sub>2</sub>							
9	26	8	17	1	0.5	0.5	7.5	15	6.5	3.5	M3 bolt	M4	16	8	Quotation
	30		12												
	30		12												
12	26	8	17	1	0.5	0.5	7.5	15	6.5	3.5	M3 bolt	M4	20	8	Quotation
	30		12												
	30		12												
15	32	10	21	1	0.5	0.5	7.5	15	8	5	M4 bolt	M5	25	10	Quotation
	37		15												
	37		15												
17	36	12	23	1	0.5	0.5	7.5	15	9.5	6	M5 bolt	M6	30	12	Quotation
	44		20												
	44		20												
20	41	2	28	1	1	1	10	20	11	7	M6 bolt	M8	35	15	Quotation
	51		25												
	51		25												

Order Part Number **TBSF20** - L **25** - E **8**

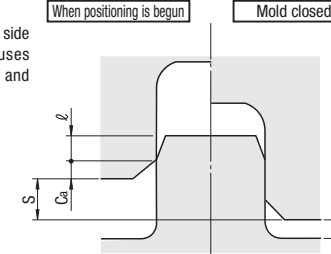
Price **Quotation**

Days to Ship **Quotation**

- Characteristics Ⓜ Resemblance products to positioning straight block sets Ⓜ P.953
- Suitable for positioning in precision molds such as connector and electronic device.
  - It is capable of preventing wear and damage in core pins since it can be positioned before core pins are inlaid on cavity.
  - Use precision leader pins since clearance is fairly small.

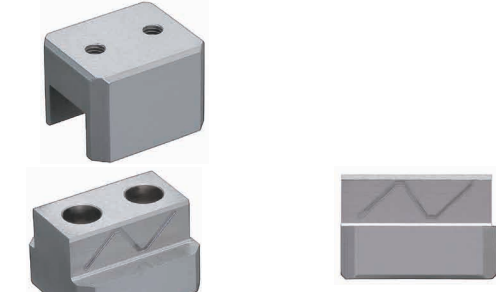
■ When using

- When a convex side and a concave side knock against each other, it causes damage. Please open about 1mm and use it.



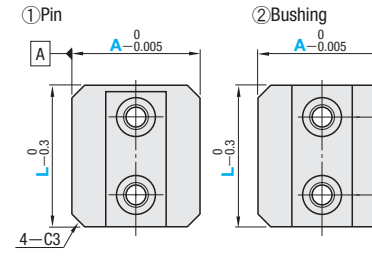
E	S (Effective length max.)
8	5.5
10	7.5
12	9.5
15	11.0
20	16.0
25	21.0

RoHS

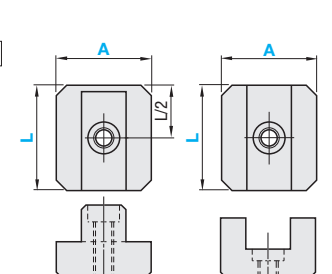


V		Positioning precision (Clearance)	V dimension symmetry against A/B plane
① Pin	② Bushing		
0 -0.005	+0.01 +0.005	0.005 0.015	0.003 or less

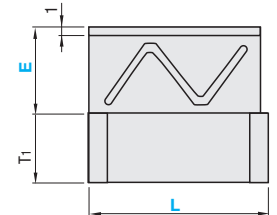
■ Mounting bolt hole: 2 (L30)



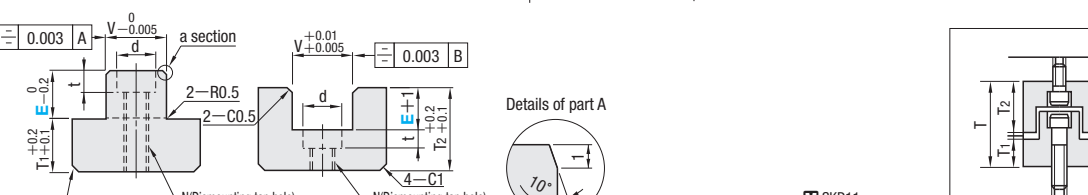
■ Mounting bolt hole: 1 (L25)



■ Oil groove configuration (Pin)



Details of part A



SKD11 58~62HRC

V	T	T <sub>1</sub>	T <sub>2</sub>	Bolt hole		Installation bolts	Tap N	Part Number Type	L Selection	E	U/Price 1~9 pcs.						
				ℓ <sub>1</sub>	ℓ <sub>2</sub>							d	t				
12	26	8	17	7.5	15	6.5	3.5	M3 bolt	M4	TBSFM	20	8	Quotation				
15	32	10	21									8		5	M4 bolt	M5	10
																	12
17	36	12	23	9.5	6	M5 bolt	M6	TBSFM	30	12	Quotation						
										10							

Order Part Number **TBSFM25** - L **25** - E **10**

Price **Quotation**

Days to Ship **Quotation**

- Characteristics
- This type has two oil grooves, one on the sliding part and the other on the pin side of the straight locating block set (TBSFM Ⓜ Left page).
  - The oil grooves ensure that oil is fed to the sliding part, thus preventing the straight locating block set from scuffing or seizing.