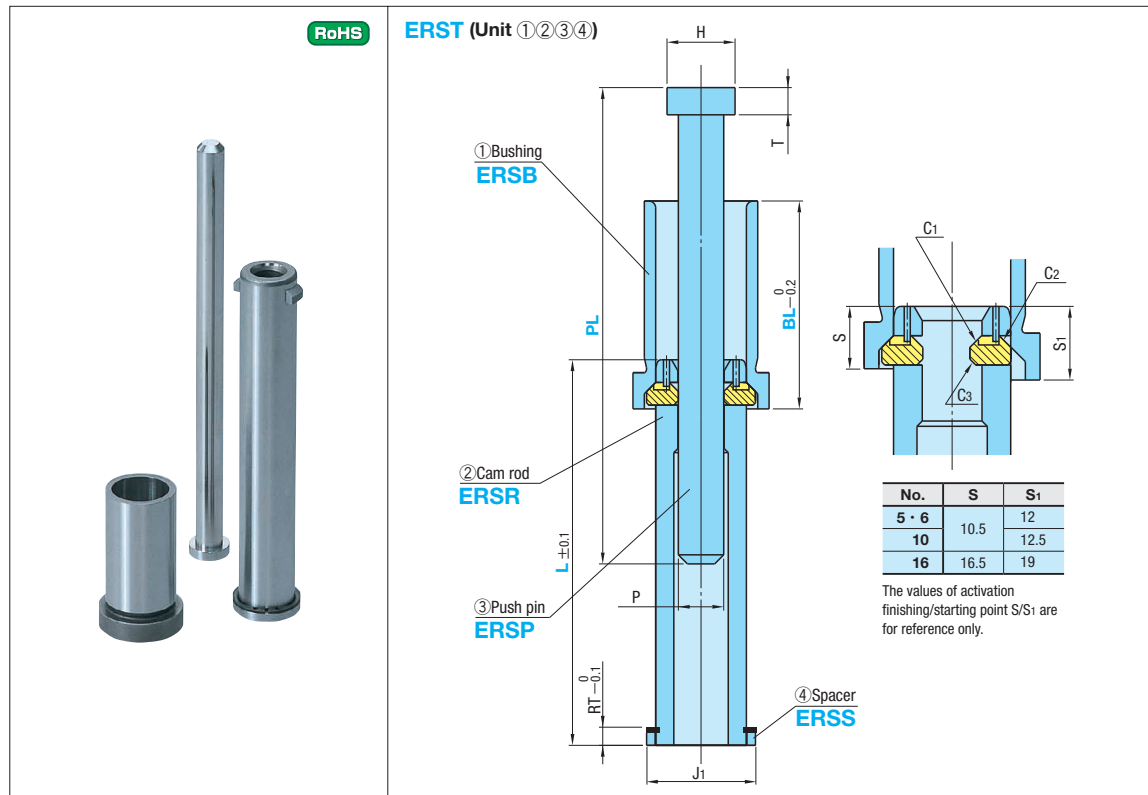


EARLY RETURN UNITS FOR EJECTOR PLATE

Ⓜ Non JIS material definition is listed on P.1351 - 1352



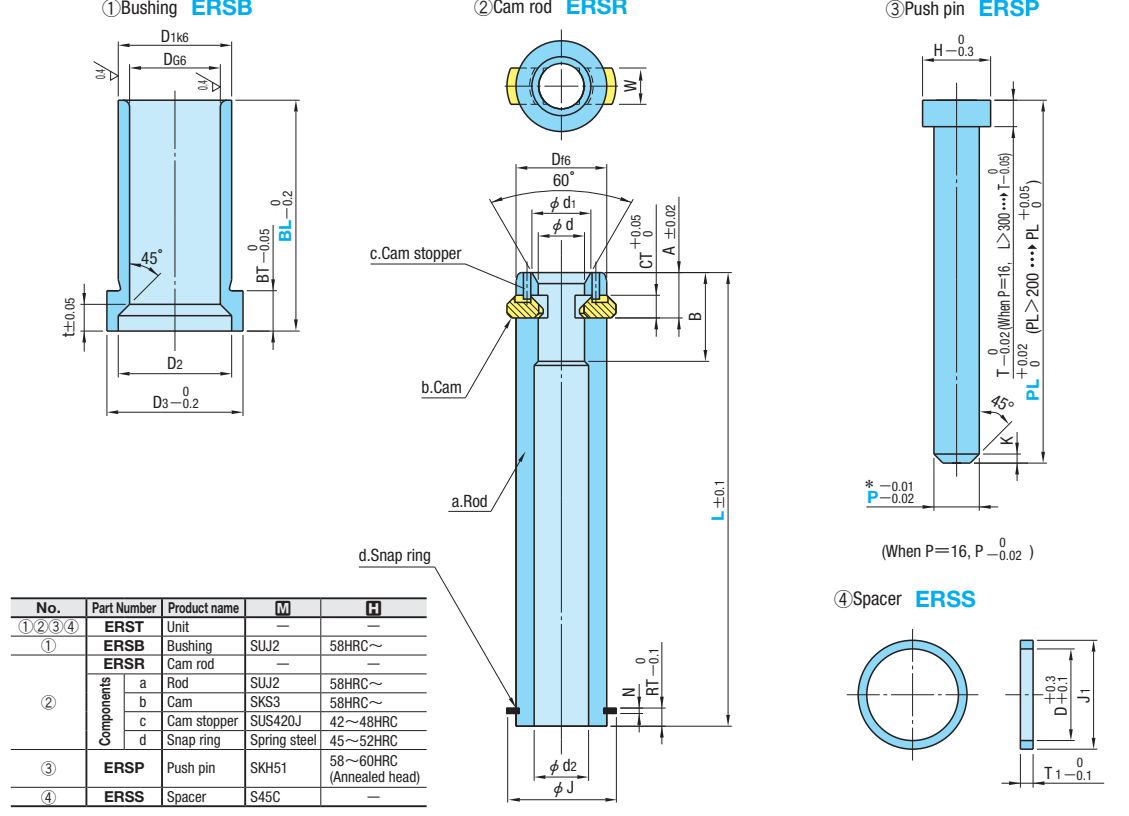
Part Number	① Bushing										② Cam rod (Set of a, b, c, and d)											
	Type	No.	D _{G6}	D _{1k6}	D ₂	D ₃	BT	t	d	d ₁	d ₂	D _{f6}	C ₁	C ₂	C ₃	J	N	RT	CT	A	B	W
ERST	5	12	$12^{+0.017}_{+0.006}$	$16^{+0.015}_{+0.002}$	16	19			5	6.8	7	$12^{-0.016}_{-0.027}$	1.5	1.5	1	16	1	4	5	10	15	4.4
	6	15	$15^{+0.017}_{+0.006}$	$20^{+0.015}_{+0.002}$	19	24	8	5.5	6	8	8	$15^{-0.016}_{-0.027}$				18.6					18	5.6
	10	20	$20^{+0.020}_{+0.007}$	$25^{+0.015}_{+0.002}$	25	30			10	12	12	$20^{-0.020}_{-0.033}$	2	2	1	24.5	1.2				25	9
	16	30	$30^{+0.020}_{+0.007}$	$40^{+0.018}_{+0.002}$	36	46	13	8.5	16	19	18	$30^{-0.020}_{-0.033}$	2.5	2.5	1.5	35.5	1.5	8	8	16	32	14

P	H	T	K	③ Push pin		④ Spacer		Part Number	Type	No.	① Length of bushing	② Length of cam rod	③ Length of push pin
				BL	L	PL	50.00~150.00				150.01~250.00*1	250.01~350.00*2	
5	8	6	1.5	12	16			ERST	ERST	5	20~50	50.0~100.0	50.00~150.00
6	10	6	2	15	18.8	3					25~60	50.0~100.0	50.00~150.00
10	15	8	2	20	24.5	2.8					35~100	60.0~100.0	50.00~150.00
16	21	8	4	30	35.5	6.5					40~100	60.0~100.0	50.00~150.00
											41~60	50.0~100.0	50.00~150.00
											41~60	100.5~125.0	100.5~125.0
											35~40	60.0~100.0	60.0~100.0
											35~40	100.5~160.0	100.5~160.0
											41~60	60.0~100.0	60.0~100.0
											41~60	100.5~160.0	100.5~160.0
											61~80	60.0~100.0	60.0~100.0
											61~80	100.5~160.0	100.5~160.0

■ Units (①②③④)

Part Number	Type	No.	BL	L	PL	U/Price/1~9						
						50.00~150.00	150.01~250.00*1	250.01~350.00*2				
ERST	ERST	5	20~50	50.0~100.0		Quotation						
										6	25~40	100.5~125.0
		10	41~60	100.5~160.0								
					16					41~60	60.0~100.0	
		16	61~80	100.5~160.0								
					16					81~100	60.0~100.0	
		16	40	100.5~160.0								
					16					41~60	60.0~100.0	
		16	61~80	100.5~160.0								
					16					81~100	60.0~100.0	
		16	40	100.5~160.0								

Components



*1 The length of push pin ERST6 is PLmax.=200 *2 The length of push pin ERST10 is PLmax.=300

■ Components (Unit)

Part Number	Type	No.	BL	U/Price 1~9			
				1mm increments	BL25~40	BL41~60*	BL61~80
ERSB	ERSB	5	20~50	Quotation			
		6	25~60	Quotation			
		10	35~100	Quotation			
		16	40~100	Quotation			

* ERSB5 bushing length is BLmax.=50

Part Number	Type	No.	BL	U/Price 1~9			
				0.01mm increments	PL50.00~150.00	PL150.01~250.00*1	PL250.01~350.00*2
ERSP	ERSP	5	50.00~150.00	Quotation			
		6	50.00~200.00	Quotation			
		10	50.00~300.00	Quotation			
		16	50.00~350.00	Quotation			

*1 The length of push pin ERST6 is PLmax.=200 *2 The length of push pin ERST10 is PLmax.=300

Part Number	Type	No.	L	U/Price 1~9	
				0.5mm increments	L50.0~100.0
ERSR	ERSR	5	50.0~100.0	Quotation	
		6	50.0~125.0	Quotation	
		10	60.0~160.0	Quotation	
		16	60.0~160.0	Quotation	

Part Number	U/Price
ERST 10	BL50 - L128.5 - PL180.00
ERSB 10	BL50
ERSR 10	L123.5
ERSP 10	PL160.00
ERSS 10	

Order: Part Number - BL - L - PL
 Alterations: Part Number - BL - L - PL - (HC · TC)
 ERST10 - BL48 - L120.5 - PL152.00 - TC5
 ERSP10 - PL162.00 - HC13

Alterations	Code	Spec.	1Code
	HC	Head diameter change HC=0.1mm increments P+1≤HC<H Ⓜ Available for ERST/ERSP	Quotation
	TC	Head thickness change TC=0.1mm increments T/2≤TC<T Dimension PL remains unchanged. Ⓜ T-TC≤PLmax.-PL Ⓜ Available for ERST/ERSP	Quotation