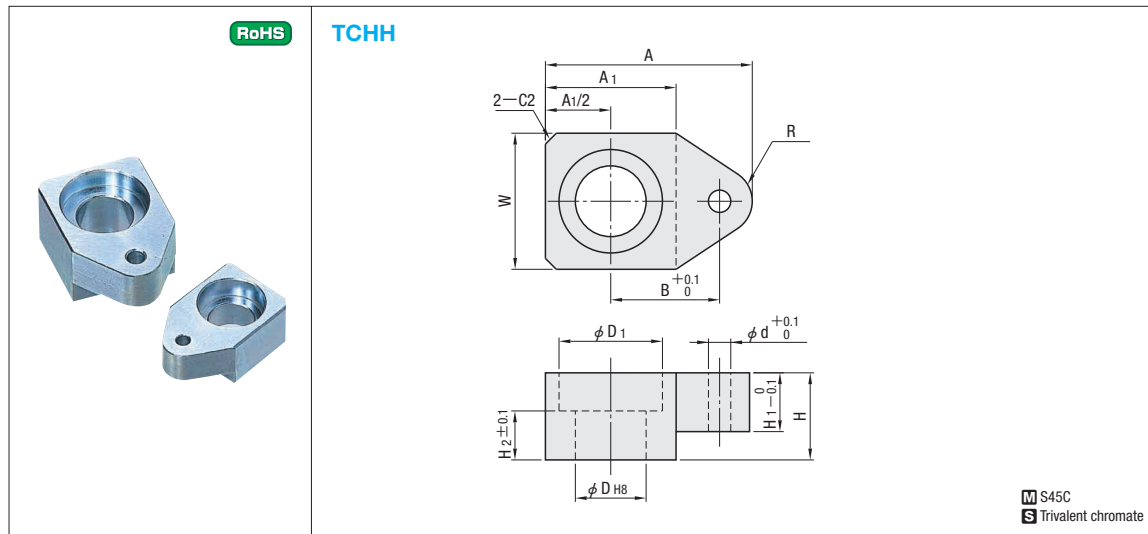


# TENSION CHAIN HOLDERS

# TENSION CHAINS

Ⓜ Non JIS material definition is listed on P.1351 - 1352



A	A1	B	W	R	H	H1	H2	d	D	D1	Applicable parts		Part Number		U/Price
											Bolt	Chains	Type	No.	
38	24	20	25	6	16	10.8	9	4.1	13	19	LKB13-13	TCHE40	TCHH	40	Quotation
46.5	30	24	32	7.5	22	13.4	16	5.2	16	25	LKB16-20	TCHE50		50	

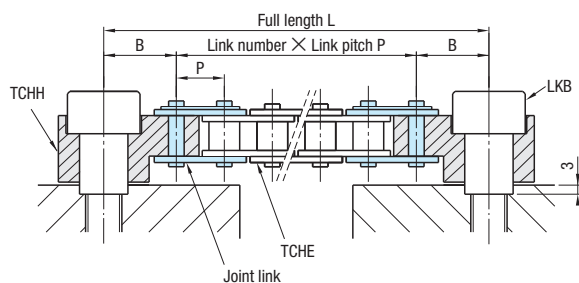
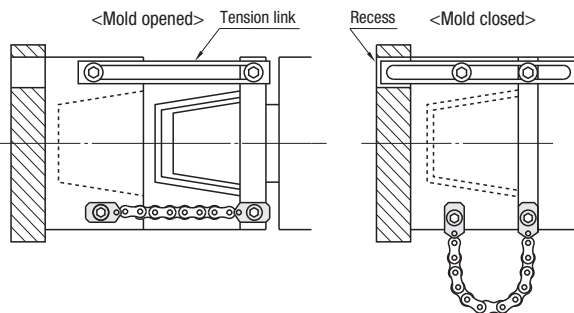
Order Part Number **TCHH40**

Price **Quotation**

Days to Ship **Quotation**

Example

• Example of stripper plate type application



### Features

- When molding products are long or deep (such as stationery or cosmetics) and the tension chains are used, making recess on the plates is not required when the molds are closed.

### Note

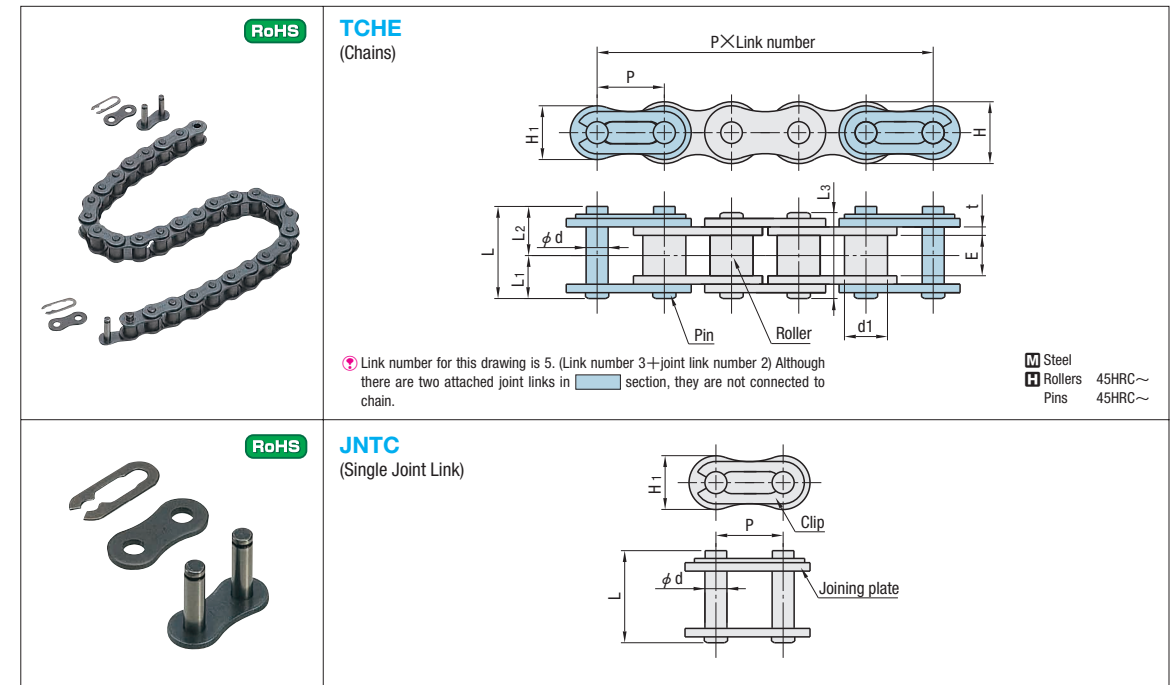
- Installation of tension chain holder onto the plate should be done by using bolt special for tension chains (LKB P.1036) and with 3mm counterbore on the plate in order to prevent bolt screw damage.
- Install at 4 points on the mold side when molding. (Do not install in vertical direction.)
- Please be careful about swing, sagging and damage in using chains.
- If positioning of chain holder is shifted, load concentrates on one chain and may cause damage.

**EX** Relation between full length L and link number  
 The number of Links N necessary for L=300mm, or more, when TCHH40  

$$N = (L - 2 \times B) / P$$

$$= (300 - 2 \times 20) / 12.7$$

$$= 20.47$$
 ∴ Number of links is 21.



### Chains

H	H1	P	d	d1	L	L1	L2	L3	E	t	*Break away load	Chain No.	Part Number		Link number
											KN {kgf}		JIS	Type	
11.7	10.5	12.7	3.97	7.95	17.55	8.02	9.53	16.05	7.95	1.5	18.1 {1850}	40	TCHE	40	5~241
14.6	13.1	15.875	5.09	10.16	21.75	10.15	11.60	20.30	9.53	2	29.9 {3050}	50		50	5~193

### Single Joint Link (Joint links attached to TCHE can be purchased by single. Please use them when they are lost or broken.)

H1	P	d	L	Applicable chains	Part Number		U/Price	
					Type	No.	1~20	21~50
10.5	12.7	3.97	17.55	TCHE40	JNTC	40	Quotation	
13.1	15.875	5.09	21.75	TCHE50		50		

Ⓜ To be quoted on price & lead time above Max. Q'ty.

Order • Chains Part Number **TCHE40** - Link number **51**

• Joint Link Part Number **JNTC40**

Days to Ship **Quotation**

Price **Quotation**

### Note

- Breaking load for chain\* is a result of static tension test. Since impact load should be added in reality, please set the safety ratio 15, or more, (1/15 of breaking load)
- Lubricate regularly in order to reduce chain wear and noise.
- Chain plate or roller may break by fatigue when used for a long term. Please inspect regularly.