


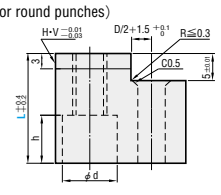
PUNCH HOLDERS

—FIXING-BOLT TYPE • DOUBLE-FIXING-BOLT TYPE • CAVITY INSERT TYPE—

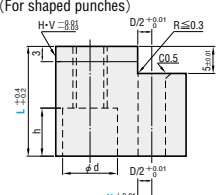
—Fixing-bolt type— RoHS



BBPH (For round punches)



BBPHC (For shaped punches)




Ⓜ (※) For lift-out tap hole, use a bolt 1 size larger than the mounting bolt.

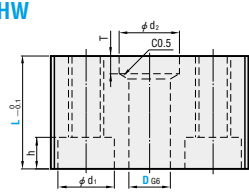
D	T
3~6	+0.012 +0.004
8~10	+0.015 +0.007
13~16	+0.018 +0.010

Ⓜ Equivalent to SKD11
Ⓜ 60~63HRC

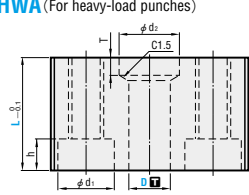
—Double-fixing-bolt type— RoHS



BBPHW



BBPHWA (For heavy-load punches)




Ⓜ (※) For lift-out tap hole, use a bolt 1 size larger than the mounting bolt.

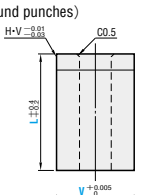
D	T
8~10	+0.014 +0.005
13~16	+0.017 +0.006
20	+0.020 +0.007

Ⓜ Equivalent to SKD11
Ⓜ 60~63HRC

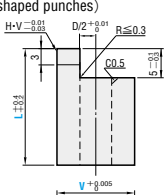
—Cavity insert type— RoHS



KBPH (For round punches)



KBPHC (For shaped punches)



H·V3~5
Ⓜ Equivalent to SKH51
Ⓜ 61~64HRC
H·V8~25
Ⓜ Equivalent to SKD11
Ⓜ 60~63HRC

D	T
1.6~2.5	+0.008 +0.002
3~6	+0.012 +0.004
8~10	+0.015 +0.007
13~16	+0.018 +0.010

Ⓜ Equivalent to SKD11
Ⓜ 60~63HRC

K	Mounting bolt			J	Catalog No.	V	H	L	D	Base unit price 1~9 pieces	
	d	h	Size							BBPH	BBPHC
4	6	7.5	M3	4	BBPH (For round punches)	16	8	16	3	Quotation	
5	8	8.5	M4	4		18	10	20	3-4		
6.5	11	10.5	M6	6.5	BBPHC (For shaped punches)	25	13	22	4-5-6	Quotation	
6.5	11	10.5	M6	8		28	16	25	8-10		
8	14	12.5	M8	10		35	20	30	10-13		
8	14	12.5	M8	12.5		40	25	30	13-16		

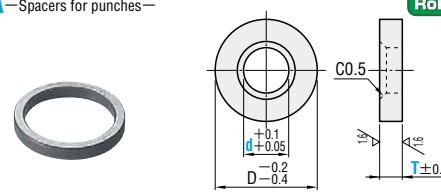
A	Mounting bolt			T	d ₂	Catalog No.	V	H	L	D	Base unit price 1~9 pieces	
	d ₁	h	Size								BBPHW	BBPHWA
25	11	7	M6	In case of BBPHW T=5	In case of BBPHW d ₂ =D+4	BBPHW BBPHWA (For heavy-load punches)	40	20	25	8 10	Quotation	
34							50	25	30	10 13		
36	14	9	M8	In case of BBPHWA T=8	In case of BBPHWA d ₂ =D+6		55	25	30	10 13 16		
40							60	30		13 16 20		

Catalog No.	V	H	L	D	Base unit price
					1~9 pieces
KBPH (For round punches)	3	3	7-10-13	1.6	Quotation
	4	4		1.6-2.0	
	5	5	2.5		
	8	8	3-4		
	10	10	3-4-5		
	13	13	4-5-6-8		
	16	16	8-10		
	20	20	10-13		
25	25	13-16			

Catalog No.	V	H	L	D	Base unit price
					1~9 pieces
KBPHC (For shaped punches)	8	8	16	3-4	Quotation
	10	10	20	3-4-5	
	13	13	22	4-5-6-8	
	16	16	25	8-10	
	20	20	30	10-13	
25	25	30	13-16		

SPACERS & SHIMS FOR PUNCHES

PWA—Spacers for punches— RoHS

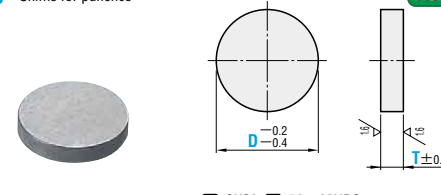


Ⓜ SKS3 Ⓜ 58~62HRC

D	Catalog No.		T (thickness) tolerance ±0.1	Base unit price 1~19 pieces	Volume discount unit price		
	Type	d			20~49	50~99	100~200
5	PWA	3	0.5 (d3~13 only)				Quotation
7		4					
8		5					
9		6					
11		8	1				
13		10					
16		13					
19		16					
23		20					
28		25	2				

⊗ If d is 16 or more, T0.5 cannot be selected.
⊙ (C0.5) ... If T is 0.5, chamfering is C0.2~0.3.

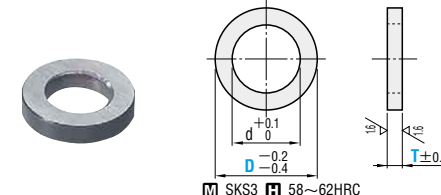
PWB—Shims for punches— RoHS



Ⓜ SKS3 Ⓜ 58~62HRC

D	Catalog No.		T (thickness) tolerance ±0.1	Base unit price 1~19 pieces	Volume discount unit price		
	Type	D			20~49	50~99	100~200
5	PWB	5	0.5 (D5~16 only)				Quotation
7		8					
8		8					
9		9					
11		11	1				
13		13					
16		16					
19		19					
23		23					
28		28	2				

PWC—Spacers for tapped punches— RoHS



Ⓜ SKS3 Ⓜ 58~62HRC

d	Catalog No.		T (thickness) tolerance ±0.1	Base unit price 1~19 pieces	Volume discount unit price		
	Type	D			20~49	50~99	100~200
3.5	PWC	5	0.5 (D5~16 only)				Quotation
4.5		6					
5.5		8					
6.5		10	1				
		13		2			
		16		3			
	19	4					
	23	5					
	28	5					

⊗ T0.5 can not be selected for D19 or larger.

Order Catalog No. — T — **Quotation** Days to Ship

Example: PWA 3 — 0.5

Alterations Catalog No. — T — TKC

Example: PWB 5 — 0.5 — TKC2

Alteration to thickness Alteration Code Spec. 1Code

Alteration	Code	Spec.	1Code
Alteration to thickness	TKC	Thickness tolerance change No. Tolerance 1 ±0.05 2 ±0.01 3 ±0.005	Quotation

Use to make adjustments when regrinding a punch tip.

Order Catalog No. V H — L — D **Quotation** Days to Ship

Example: BBPH 16 08 — 20 — D3

Example: KBPH 04 04 — 10 — D1.6

Price **Quotation**

Alterations Catalog No. V H — L(LC) — D — (LKC-VKC1, etc.)

Example: BBPH 16 08 — LC21.1 — D3

Alteration	Code	Spec.	1Code
Full length change BBPH-BBPHC-KBPHC 16<L<30 BBPHW-BBPHWA If A-(d ₁ +d ₂)<4, T+h+3.5≤LC<L If A-(d ₁ +d ₂)≥4, h+4≤LC<L KBPH V·H: 3~5 7<L<25 V·H: 8~25 11<L<25 (0.1mm increments (if combined with LKC-LKZ, 0.01mm increments can be selected.) ⊙ Punch fixing part (5±0.01) · Press-in lead length (3) ⊙ Bolt counterbore depth (h) is the same as specified.	LC		Quotation
Full length tolerance change L+0.4 ⇔ +0.05 -0.2 ⇔ 0	LKC	⊗ Cannot be used for BBPHW-BBPHWA.	
Full length tolerance change L+0.4 ⇔ +0.01 -0.2 ⇔ 0	LKZ	⊗ Cannot be used for BBPHW-BBPHWA.	

Alteration	Code	Spec.	1Code
V·H tolerance change V·H+0.01 ⇔ V·H+0.005 ⊗ Cannot be used for BBPHW-BBPHWA-KBPH-KBPHC.	VKC1		
V·H tolerance change V·H+0.01 ⇔ V·H-0.005 ⊗ Cannot be used for BBPHW-BBPHWA.	VKC2		
No press-in lead ⊗ Cannot be used for BBPHW-BBPHWA.	NDC		
Addition of single key flat to head 1° increments ⊗ Cannot be used for BBPH-BBPHC-KBPH-KBPHC.	KC		Quotation
Head tolerance change No specification → +0.05 +0.03 ⊗ Cannot be used for BBPH-BBPHC-KBPH-KBPHC.	TKC		
Chamfering of C3.0 to 1corner ⊗ Cannot be used for BBPH-BBPHC-KBPH-KBPHC.	CCP		