

BUTTON DIES

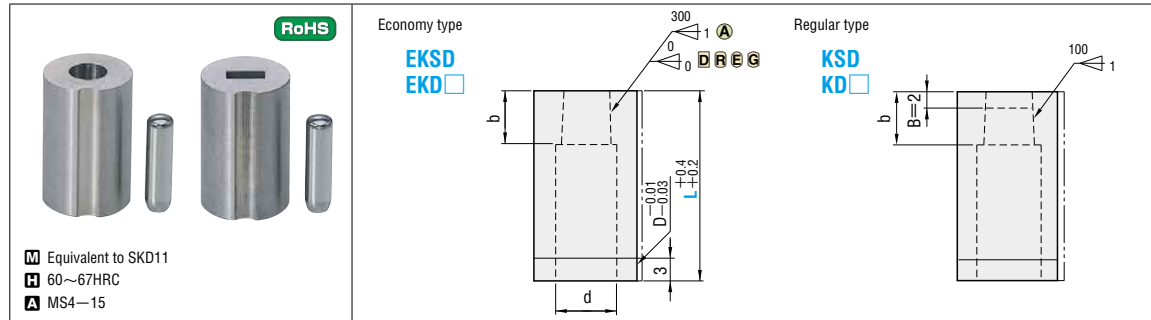
—DOWEL SLOT TYPE—

SCRAP RETENTION BUTTON DIES

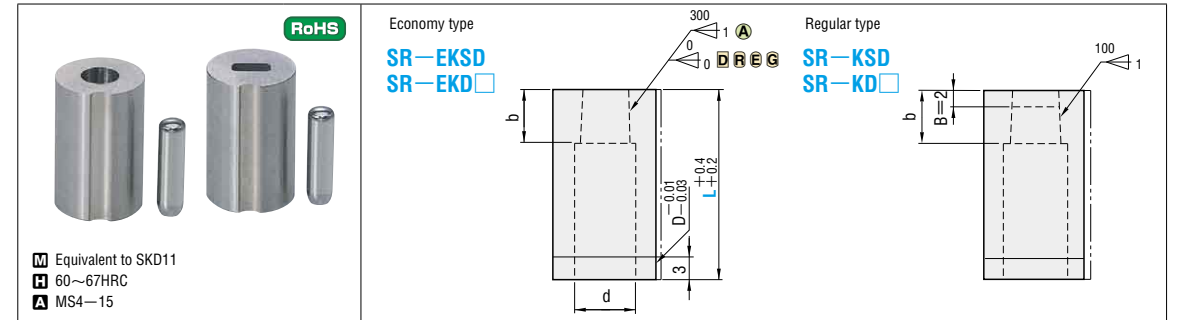
—DOWEL SLOT TYPE—

PRODUCTS DATA

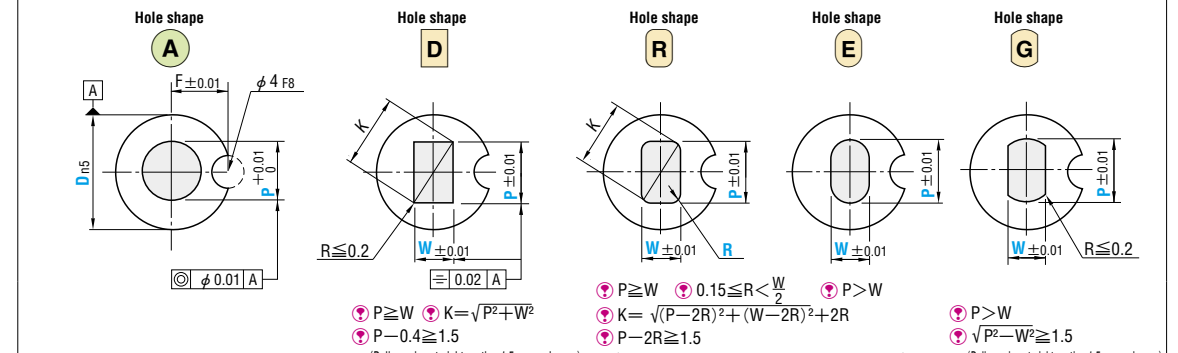
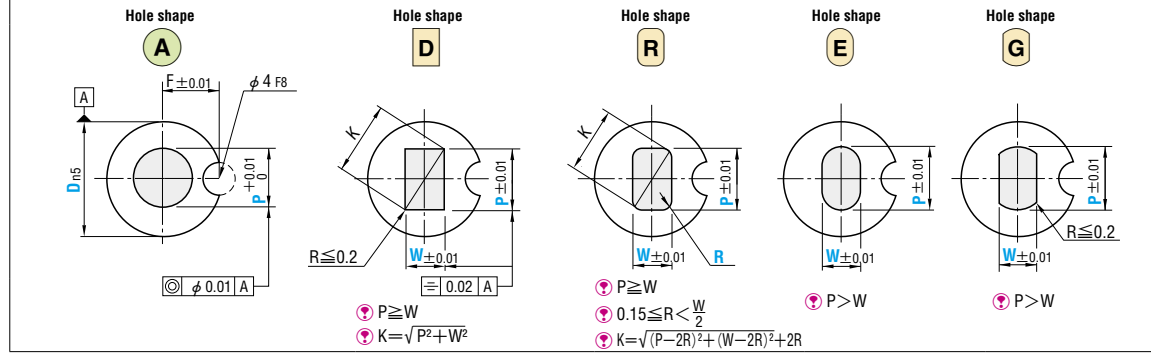
P.1619



Equivalent to SKD11
60~67HRC
MS4-15



Equivalent to SKD11
60~67HRC
MS4-15



D _{h5}	Catalog No.		L	0.01mm increments				b	d	F	Base unit price 1~9 pieces									
	Type	D		A							EKSD	KSD	EKD	KD						
				min.	P max.	P.Kmax.	P.Wmin.													
10	Economy type	Regular type	10	16	20	22	25	28	30	32	35	2.00	~	6.00	1.20					
13	A	EKSD	KSD	13	16	20	22	25	28	30	32	35	3.00	~	8.00	1.50				
16				16	16	20	22	25	28	30	32	35	5.00	~	10.00	2.00				
20	D	EKDD	KDD	20	16	20	22	25	28	30	32	35	7.00	~	12.00	3.00				
22				22	16	20	22	25	28	30	32	35	8.00	~	14.00	3.00				
25	R	EKDR	KDR	25	16	20	22	25	28	30	32	35	10.00	~	16.00	3.00				
32				32	16	20	22	25	28	30	32	35	15.00	~	20.00	4.00				
38	E	EKDE	KDE	38	16	20	22	25	30	35			19.00	~	26.00	5.00				
45				45	20	22	25	30	35				25.00	~	35.00	6.00				
50	G	EKDG	KDG	50	20	22	25	30	35				33.00	~	40.00	7.00				
56				56	20	22	25	30	35				38.00	~	45.00	8.00				

D _{h5}	Catalog No.		L	0.01mm increments				b	d	F	Base unit price 1~9 pieces									
	Type	D		A							SR-EKSD	SR-KSD	SR-EKD	SR-KD						
				min.	P max.	P.Kmax.	P.Wmin.													
10	Economy type	Regular type	10	16	20	22	25	28	30	32	35	2.00	~	6.00	1.20					
13	A	SR-EKSD	SR-KSD	13	16	20	22	25	28	30	32	35	3.00	~	8.00	1.50				
16				16	16	20	22	25	28	30	32	35	5.00	~	10.00	2.00				
20	D	SR-EKDD	SR-KDD	20	16	20	22	25	28	30	32	35	7.00	~	12.00	3.00				
22				22	16	20	22	25	28	30	32	35	8.00	~	14.00	3.00				
25	R	SR-EKDR	SR-KDR	25	16	20	22	25	28	30	32	35	10.00	~	16.00	3.00				
32				32	16	20	22	25	28	30	32	35	15.00	~	20.00	4.00				
38	E	SR-EKDE	SR-KDE	38	16	20	22	25	30	35			19.00	~	26.00	5.00				
45				45	20	22	25	30	35				25.00	~	35.00	6.00				
50	G	SR-EKDG	SR-KDG	50	20	22	25	30	35				33.00	~	40.00	7.00				
56				56	20	22	25	30	35				38.00	~	45.00	8.00				

Order **Catalog No.** - L - P - W - R (R only)
EKDR 13 - 20 - P6.00 - W2.40 - R1.00

Days to Ship **Quotation**

Price **Quotation**

Alterations **Catalog No.** - L(LC) - P(PC) - W(WC) - R - (BC-KC, etc.)
EKDD 13 - 20 - P6.00 - WC1.00 - KC90

Alteration	Code	A	D R E G	1Code
Alterations to shaped hole	PC	Shaped hole diameter change $P > PC$ $\min: W > WC \geq \frac{P-W}{2} \geq 1.00$ 0.01mm increments For A only, if PC is 1.00~1.99, then b = 4.		Quotation
	WC	$\max: W < WC \leq P \cdot Kmax + 0.2$ 0.01mm increments		
	BC	Shaped hole depth change $1 \leq BC \leq b$ 0.1mm increments Cannot be used for economy types.		

Alteration	Code	A	D R E G	1Code
Shaped hole	PKC	Shaped hole diameter tolerance change $P \pm 0.01 \rightarrow +0.005$ Cannot be used for economy types.		Quotation
	LC	Full length change $10 \leq LC < L$ 0.1mm increments (If combined with LKC-LKZ, 0.01 mm increments can be selected.) Press-in lead is shortened by (L-LC).		
Alterations to full length	LKC	Full length tolerance change $L \pm 0.4 \rightarrow +0.05$		Quotation
	LKZ	Full length tolerance change $L \pm 0.4 \rightarrow +0.01$ Cannot be used for L < 16 or D > 25.		
Others	KC	Key flat position change 1° increments		

Order **Catalog No.** - L - P - W - R (R only) - MT - C
SR-EKDR 13 - 20 - P6.00 - W2.40 - R1.00 - MT1.50 - C0.105

Days to Ship **Quotation**

Price **Quotation**

Alterations **Catalog No.** - L(LC) - P(PC) - W(WC) - R - MT - C - (BC-KC, etc.)
SR-EKDD 13 - 20 - P6.00 - WC1.00 - MT1.50 - C0.105 - KC90

Alteration	Code	A	D R E G	1Code
Alterations to shaped hole	PC	Shaped hole diameter change $\min: W > WC \geq \frac{P-W}{2} \geq 1.00$ 0.01mm increments A only, if PC is 1.00~1.99, then b = 4.		Quotation
	WC	$\max: W < WC \leq P \cdot Kmax + 0.2$ 0.01mm increments		
	BC	Shaped hole depth change $1 \leq BC \leq Bmax$ 1mm increments Cannot be used for economy types.		

Alteration	Code	A	D R E G	1Code
Shaped hole	PKC	Shaped hole diameter tolerance change $P \pm 0.01 \rightarrow +0.005$ Cannot be used for economy types.		Quotation
	LC	Full length change $10 \leq LC < L$ 0.1mm increments (If combined with LKC-LKZ, 0.01 mm increments can be selected.) Press-in lead is shortened by (L-LC).		
Alterations to full length	LKC	Full length tolerance change $L \pm 0.4 \rightarrow +0.05$		Quotation
	LKZ	Full length tolerance change $L \pm 0.4 \rightarrow +0.01$ Cannot be used for L < 16 or D > 25.		
Others	KC	Key flat position change 1° increments		