


SPACERS

—FOR ANGULAR BUTTON DIES AND STRAIGHT BUTTON DIES WITH RELIEF HOLES—

—For angular button dies— **RoHS**

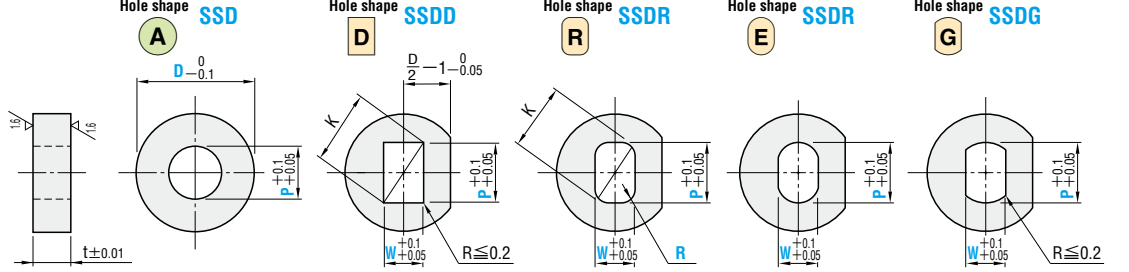


SK5
45 HRC~

Button die L dimension and P·W spread
($\alpha \times 2$) dimension: P·W spread (when B=2)
The values in the table below are the values for α on each side.

L	Taper	1/50	1/100	1/150
16		0.28	0.14	0.09
20		0.36	0.18	0.12
22		0.40	0.20	0.13
25		0.46	0.23	0.15
30		0.56	0.28	0.19
35		0.66	0.33	0.22
40		0.76	0.38	0.25

Hole shape **SSD** **SSDD** **SSDR** **SSDR** **SSDG**



$\text{P} \geq \text{W}$
 $0.15 \leq \text{R} < \frac{\text{W}}{2}$
 $\text{K} = \sqrt{(\text{P}-2\text{R})^2 + (\text{W}-2\text{R})^2} + 2\text{R}$

The outside diameter has slight depression.

Catalog No.	0.01mm increments					t	Base unit price (8-piece set) 1~4 sets
	Type	D	min. P max.	P·Kmax.	P·Wmin.		
A SSD	6	1.00~4.00	—	—	—	0.05	Quotation
D SSDD	8	1.00~5.00	5.00	1.00	—	0.1	
R SSDR	10	2.00~7.00	7.00	1.20	—	0.2	
E SSDE	13	3.00~9.00	9.00	1.50	—	0.3	
G SSDG	16	5.00~12.00	12.00	2.00	—	0.5	
	20	7.00~16.00	16.00	3.00	—	1.0	
	22	8.00~18.00	18.00	3.00	—	1.5	
	25	10.00~20.00	20.00	3.00	—	2.0	

1 set consists of 8 spacers (1 of each t dimension).


Order **Catalog No.** — P — W — R (R only) **SSDG 10** — P5.65 — W3.25

Days to Ship **Quotation**

Alterations **Catalog No.** — P — W — R — (KC) **SSDD 8** — P3.60 — W2.85 — KC90

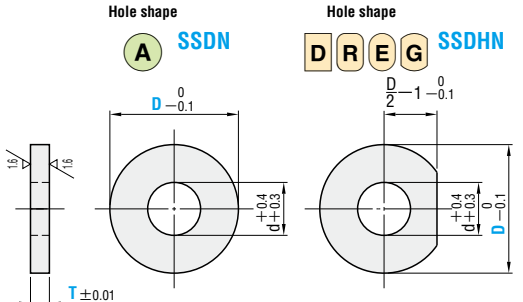
Alteration	Code	A	D R E G	1Code
Head	KC	⊙	270° Key flat position change 1° increments	Quotation

—For straight button dies with relief holes— **RoHS**



SK5
45 HRC~

Hole shape **SSDN** **SSDHN**



The outside and inside diameter has slight depression.

d	Catalog No.		Base unit price (5-piece set) 1~9 sets					
	Type	D	T	T0.05	T0.1	T0.2	T0.5	T1.0
3.4	SSDN	6	0.05	Quotation				
4.4		8						
6.4		10						
8.4	13	0.1						
10.6	16				0.2			
12.6	20		0.5					
14.6	22	1.0						
16.6	25							

A set consists of 5 spacers of the same T dimension.
For example, with T0.1, a set consists of 5 spacers of thickness 0.1.


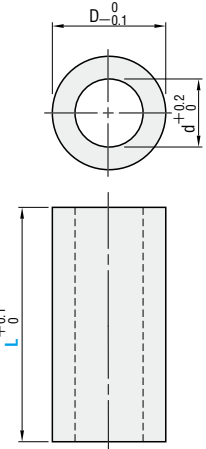
Order **Catalog No.** — T **SSDN 6** — 0.1

Days to Ship **Quotation**

Price **Quotation**

COLLARS FOR HEADED BUTTON DIES

RoHS **HBDC**

SKS3
58~60 HRC

D _{-0.1}	d _{+0.2} ₀	Catalog No.		L 0.1mm increments	Base unit price 1~9 pieces
		Type	No.		
11	5.4	HBDC	8	10.0~60.0	Quotation
13	7.8		10		
16	10		13		
19	12.4		16		
23	14.6		20		
25	16.8		22		
28	18.8		25		
35	23		32		

Order **Catalog No.** — L **HBDC 8** — 40.5

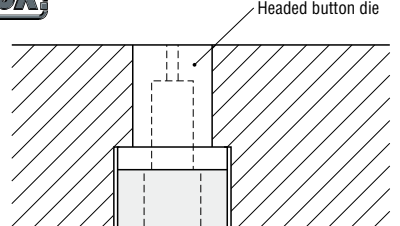
Days to Ship **Quotation**

Price **Quotation**

Alterations **Catalog No.** — L — (LKC) **HBDC 8** — 40.5 — LKC

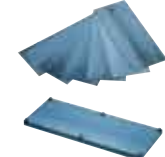


Alteration	Code	Spec.	1Code
Alterations to full length	LKC	L dimension tolerance change L +0.1 ↔ +0.05 0 ↔ 0	Quotation

Example **ex**



Collar for headed button die
It is recommended that the clearance be as small as possible.

Products related to shims and spacers

Spacer layer plates	Precision multipurpose plates	Shim tape
LHP LHP-H LHP-SET	UTPB UTPL	FGSM FGSMW FGSML
		
P.839	P.841	P.840