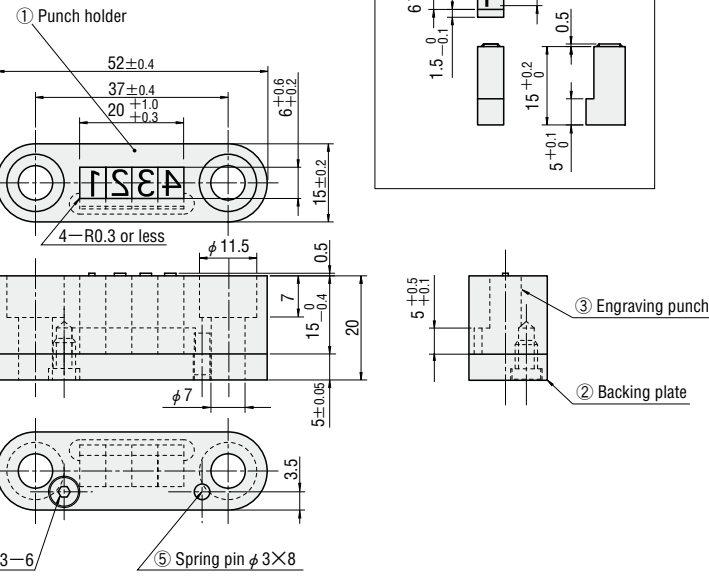


ENGRAVING PUNCH HOLDERS

RoHS

Catalog No.	COMPONENTS				
	①	②	③	④	⑤
HCFPH4	○	○	○	○	○
HCFS4			○		

Ⓜ Mounting bolts (M6) are purchased separately.



- ① M S45C
- ② M SK4
- ③ 58~62HRC
- ④ M SKD11
- ⑤ 60~63HRC

Engraving punch holders — For a 4-character set —

Catalog No.	Base unit price
Type	1~9 pieces
HCFPH4	Quotation

Order **Catalog No.**
HCFPH4

Days to Ship **Quotation**

Price **Quotation**

Engraving punches for punch holder (Punches are sold individually.)

Catalog No.	CHR	Base unit price
Type		1~9 pieces
HCFS4	0 1 2 3 4 5 6 7 8 9 X Y Z	Quotation

Order **Catalog No.** — CHR
HCFS4 — X

Days to Ship **Quotation**

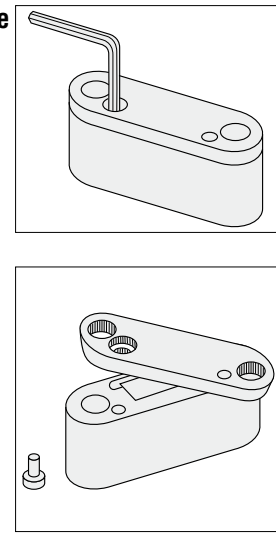
Price **Quotation**

Character font
0 1 2 3 4 5 6 7 8 9 X Y Z

Features

- These engraving punches are used for product traceability purposes.
- By incorporating it in the die, it is possible to engrave the production date onto the products.
- This compact punch is only 20mm in height and requires little space.

Changing the punches



- ① Remove the low-head bolt which fixes the backing plate.
- ② By rotating the backing plate around the spring pin, it is possible to replace the last digit of the date easily.
(The backing plate can be completely removed.)

Set of punches required for date engraving (Holder is not included.)

Year/Month/Date/Date (2016/12/31)

Required number of punches for engraving dates from 2010—2019														
CHR	0	1	2	3	4	5	6	7	8	9	X	Y	Z	Total
Quantity	2	4	4	3	3	3	3	3	3	3	1	1	1	34

(X: October, Y: November, Z: December)

Order **Catalog No.**
34SET — YMDD — HCFS4

Days to Ship **Quotation**

Price **Set (34 pcs.) price**
Quotation

Month/Month/Date/Date (12/31)

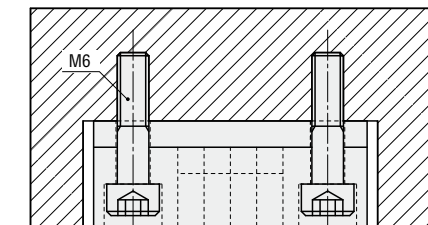
Required number of punches for engraving dates from 01/01 to 12/31											
CHR	0	1	2	3	4	5	6	7	8	9	Total
Quantity	2	4	3	2	2	2	2	2	2	2	23

Order **Catalog No.**
23SET — MMDD — HCFS4

Days to Ship **Quotation**

Price **Set (23 pcs.) price**
Quotation

Example



Shim tape P.728



PUNCHES & DIES FOR FORMING