

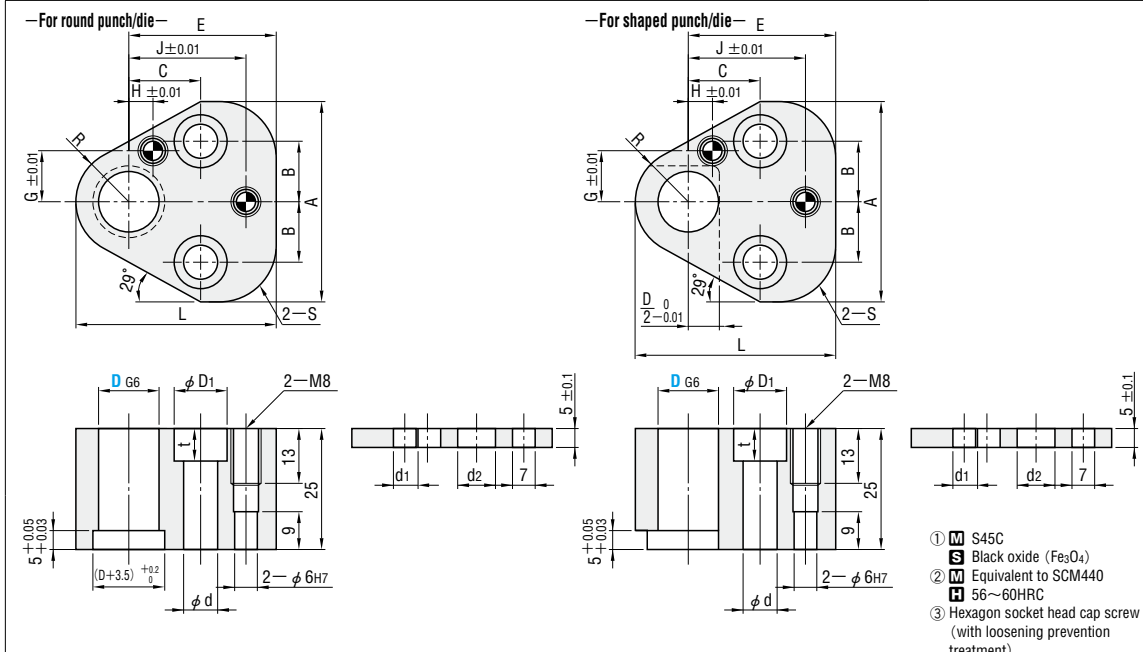
END RETAINER SETS FOR NC MACHINING 25 MM THICK TYPE

— TRIANGLE TYPE —

END RETAINER SETS FOR NC MACHINING 32 MM THICK TYPE

— TRIANGLE TYPE —

For round punch-round button die						For shaped punch-shaped button die									
For round	Retainer No.	Catalog No.	Components					For shaped	Retainer No.	Catalog No.	Components				
			①	②	③	④	⑤				①	②	③	④	⑤
For round	NA1	25CRN-AP	○	○	○	○	○	For shaped	NF1	25CRN-FP	○	○	○	○	○
For punch	NA2	25CRNAR	○	○	○	○	○	For punch	NF2	25CRNFR	○	○	○	○	○
		CRNBP	○	○	○	○	○			CRNBP	○	○	○	○	○
Button die		25CRN-AD	○	○	○	○	○	Button die		25CRN-FD	○	○	○	○	○
		CRNBD	○	○	○	○	○			CRNBD	○	○	○	○	○
Body only	NA3	25CRN-A	○	○	○	○	○	Body only	NF3	25CRN-F	○	○	○	○	○



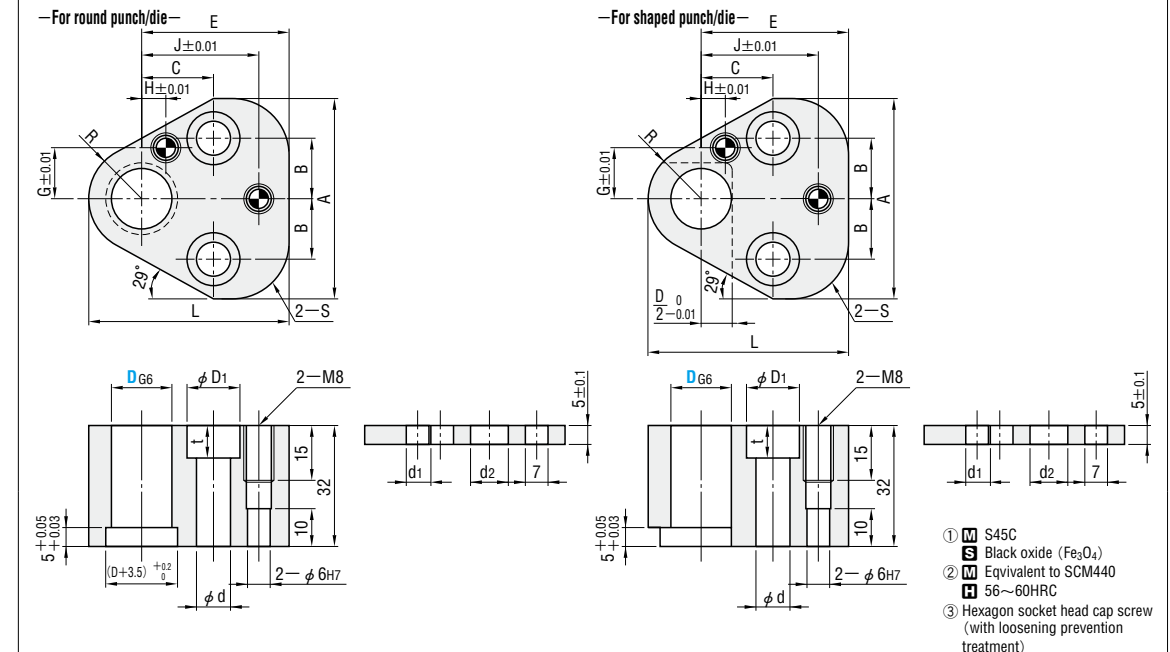
Catalog No.		D	D _{G6}	A	B	C	E	G	H	J	L	R	S	D ₁	d	t	d ₂	d ₁		A ③④⑤
Type																		CRNBP	CRNBD	
For round punch/die	For shaped punch/die	10	+0.014 +0.005	43.7	11.12	19.05	35.0	9.0	7.5	26.925	44.5	9.5	12.0	14	9	9	10	6.2	7.4	③ M8-35 ④ MSTM6-30 ⑤ MSW8
25CRN-AP	25CRN-FP	13	+0.017 +0.006	50.0	14.27		38.1	12.0	6.5	29.970	50.8	12.7	15.2						9.4	
25CRN-AD	25CRN-FD	16		53.2	15.87		39.7	13.5	6.0	31.750	54.0	14.3	16.8						11.6	
25CRNAR	25CRNFR	20	+0.020 +0.007	59.5	17.47	42.8	16.5	5.0	33.530	60.3	17.5	20.0	17	11	11	12	13.6	③ M10-35	⑤ MSW8	④ MSTM6-30
CRNBP	CRNBP																	④ MSTM6-30		
CRNBD	CRNBD	25		69.1	19.84	23.82	47.7	22.0	7.0	40.640	69.9	22.2	24.7	19	13	14	14	③ M12-35	⑤ MSW8	④ MSTM6-30
25CRN-A	25CRN-F																	④ MSTM6-30		

Order **Catalog No.**
25CRN-AP 16

Price **Quotation**

Days to Ship **Quotation**

For round punch-round button die						For shaped punch-shaped button die									
For round	Retainer No.	Catalog No.	Components					For shaped	Retainer No.	Catalog No.	Components				
			①	②	③	④	⑤				①	②	③	④	⑤
For round		CRN-AP	○	○	○	○	○	For shaped		CRN-FP	○	○	○	○	○
For punch		CRNAR	○	○	○	○	○	For punch		CRNFR	○	○	○	○	○
		CRNBP	○	○	○	○	○			CRNBP	○	○	○	○	○
Button die		CRN-AD	○	○	○	○	○	Button die		CRN-FD	○	○	○	○	○
		CRNBD	○	○	○	○	○			CRNBD	○	○	○	○	○
Body only		CRN-A	○	○	○	○	○	Body only		CRN-F	○	○	○	○	○



Catalog No.		D	D _{G6}	A	B	C	E	G	H	J	L	R	S	D ₁	d	t	d ₂	d ₁		A ③④⑤
Type																		CRNBP	CRNBD	
For round punch/die	For shaped punch/die	10	+0.014 +0.005	43.7	11.12	19.05	35.0	9.0	7.5	26.925	44.5	9.5	12.0	14	9	9	10	6.2	7.4	③ M8-40 ④ MSTM6-30 ⑤ MSW8
CRN-AP	CRN-FP	13	+0.017 +0.006	50.0	14.27		38.1	12.0	6.5	29.970	50.8	12.7	15.2						9.4	
CRN-AD	CRN-FD	16		53.2	15.87		39.7	13.5	6.0	31.750	54.0	14.3	16.8						11.6	
CRNAR	CRNFR	20	+0.020 +0.007	59.5	17.47	42.8	16.5	5.0	33.530	60.3	17.5	20.0	17	11	11	12	13.6	③ M10-40	⑤ MSW8	④ MSTM6-30
CRNBP	CRNBP																	④ MSTM6-30		
CRNBD	CRNBD	25		69.1	19.84	23.82	47.7	22.0	7.0	40.640	69.9	22.2	24.7	19	13	14	14	③ M12-40	⑤ MSW8	④ MSTM6-30
CRN-A	CRN-F																	④ MSTM6-30		

Order **Catalog No.**
CRN-AP 16

Price **Quotation**

Days to Ship **Quotation**