

BALL-LOCK RETAINERS

— LIGHT LOAD TYPE (COMPACT) —

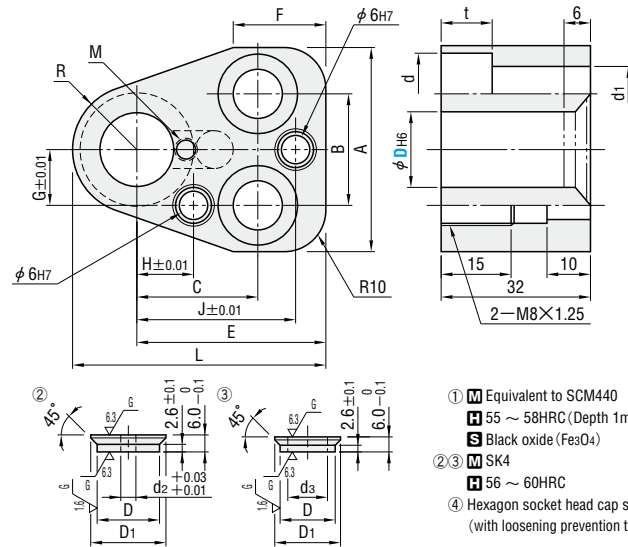
Refer to Notes on P.770.

Application	Catalog No.	①	②	③	④	⑤	⑥	⑦	D
For punch	CLN-P	○	○	○	○	○	○	○	10 ~ 32
For die	CLN-D	○	○	○	○	○	○	○	13 ~ 38
Retainer body for punch + plug	CLN-PP	○	○						10 ~ 32
Retainer body for die + plug	CLN-DN	○	○						13 ~ 38

RoHS



Use these retainers for light load type punches. They cannot be used for heavy load type punches.



Catalog No.	Type	D	D _{H6}	A	B	C	E	F	G	H	J	L	R	D ₁	d	d ₁	t	d ₂	M	d ₃	A		
(For punch)	①②④⑤⑥⑦ CLN-P ①② CLN-PP	(10)	+0.009 0	37	20	21	35		10	9	29	44.5	9.5	16								④ M8-40 ⑤ MSTM6-30 ⑥ MSW8 ⑦ MS6-20	
		13	+0.011 0	43	26	23	38		13	11	32	50	12	19		14	9	10				6.2	
		16	0	44	24	26	40			12	34	54	14	22									9
(For die)	①③④⑤⑥⑦ CLN-D ①③ CLN-DN	20	+0.013 0	48	28	27	42	20	16	14	36	59	17	26		17	11	12		6	4	12	④ M10-40 ⑤ MSTM6-30 ⑥ MSW8 ⑦ MS6-20
		25	0	50		30	46		18	17	39	65.5	19.5	31								17	
		32	+0.016 0	54	30	33	48		21	20	42	71	23	38		19	13	14				21	④ M12-40 ⑤ MSTM6-30 ⑥ MSW8 ⑦ MS6-20
(38)	0	58		35	52		23	23	46	78	26	44									27		

D10 can be used for punches only. D38 can be used for dies only.

Order Catalog No. CLN-P 16

Days to Ship Quotation

Price Quotation

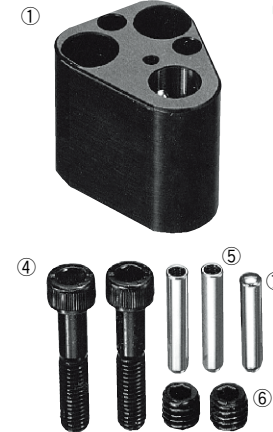
BALL-LOCK RETAINERS

— HEAVY LOAD TYPE (COMPACT) —

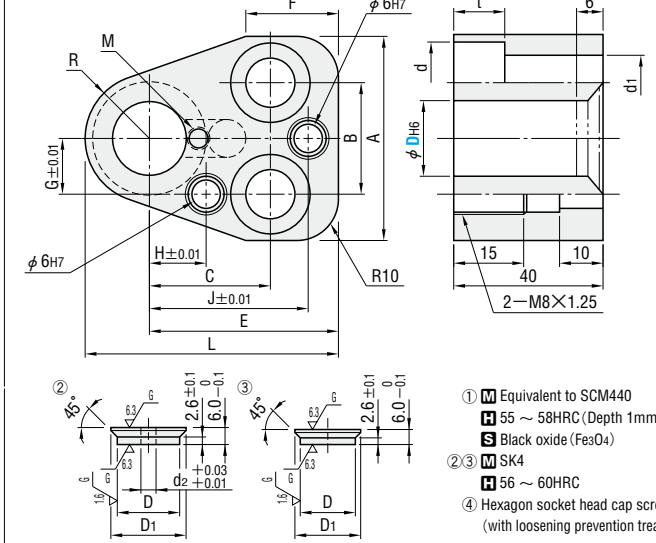
Refer to Notes on P.770.

Application	Catalog No.	①	②	③	④	⑤	⑥	⑦	D
For punch	CBN-P	○	○	○	○	○	○	○	10 ~ 32
For die	CBN-D	○	○	○	○	○	○	○	
Retainer body + plug	CBN-PP	○	○						
Retainer body + plug	CBN-PNP	○	○						

RoHS



Use these retainers for heavy load type punches. They cannot be used for light load type punches.



Catalog No.	Type	D	D _{H6}	A	B	C	E	F	G	H	J	L	R	D ₁	d	d ₁	t	d ₂	M	A			
(For punch)	①②④⑤⑥⑦ CBN-P ①② CBN-PP	10	+0.009 0	37	20	21	35		10	9	29	44.5	9.5	16								④ M8-45 ⑤ MSTM6-30 ⑥ MSW8 ⑦ MS6-20	
		13	+0.011 0	43	26	23	38		13	11	32	50	12	19		14	9	10					
		16	0	44	24	26	40			12	34	54	14	22									9
		20	+0.013 0	48	28	27	42	20	16	14	36	59	17	26		17	11	12		6	4	12	④ M10-50 ⑤ MSTM6-30 ⑥ MSW8 ⑦ MS6-20
(For die)	①③④⑤⑥⑦ CBN-D ①③ CBN-PNP	25	0	50		30	46		18	17	39	65.5	19.5	31								17	
		32	+0.016 0	54	30	33	48		21	20	42	71	23	38		19	13	14				21	④ M12-50 ⑤ MSTM6-30 ⑥ MSW8 ⑦ MS6-20
		(38)	0	58		35	52		23	23	46	78	26	44								27	

Order Catalog No. CBN-P 10

Days to Ship Quotation

Price Quotation