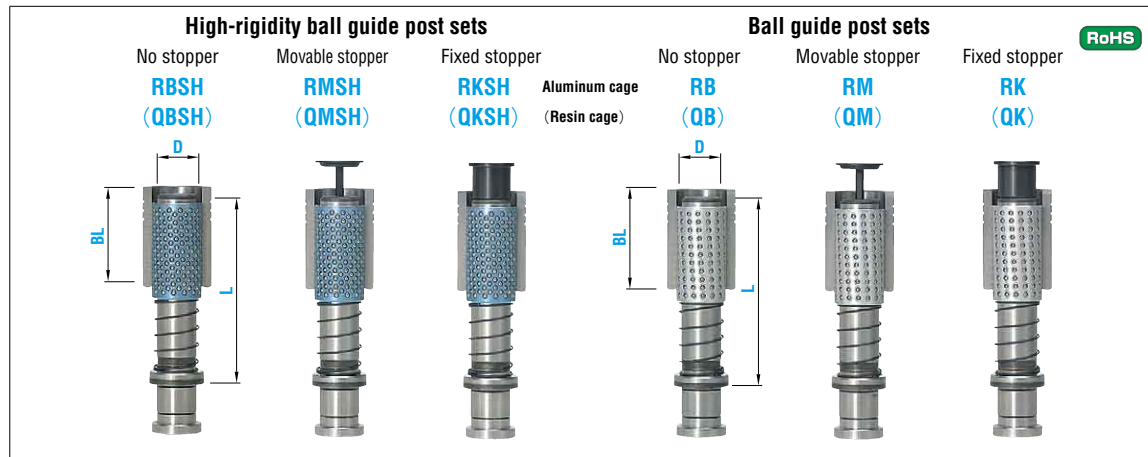


# BALL GUIDE POST SETS FOR DIE SETS

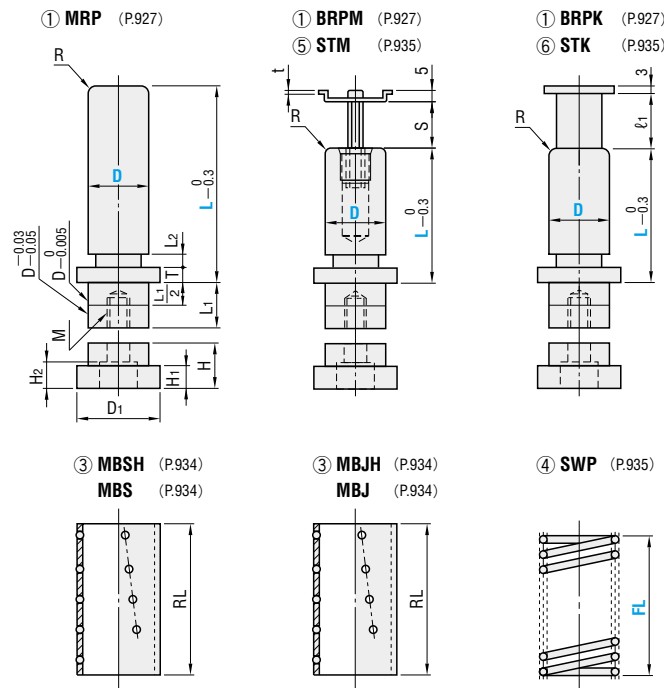
—DETACHABLE POST TYPE—



※When ordering by set, only the standard dimensions are available.  
If dimensions other than standards are required, order alterations  
(P.927 ~ 929) to individual parts.



Catalog No.	Components					
	①	②	③	④	⑤	⑥
RBSH	MRP					
RMSH	BRPM		MBSH		STM	
RKSH	BRPK	MBB		SWP		STK
QBSH	MRP	LBB				
QMSH	BRPM		MBJH		STM	
QKSH	BRPK					STK
RB	MRP					
RM	BRPM		MBS		STM	
RK	BRPK	MBB		SWP		STK
QB	MRP	LBB				
QM	BRPM		MBJ		STM	
QK	BRPK					STK



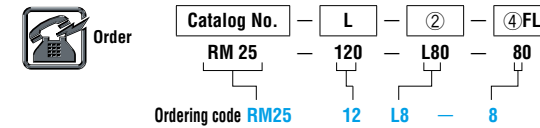
MRP·BRPM·BRPK													MBB·LBB				RL	S	ℓ <sub>1</sub>		
D	D <sub>1</sub>	L <sub>1</sub>	L <sub>2</sub>	H	H <sub>1</sub>	H <sub>2</sub>	T	t	M	R	Provided bolt	d	D <sub>1</sub> ·D <sub>2</sub>	D <sub>1</sub> □	D <sub>2</sub> □	50	60	75	90	110	
20	+0.020	28	15	10	14	7	8.5	8	1.6	8	2.0	CB8—25	26	37	0	0 ~ 19	15				
22	+0.015	30	16										31	45	-0.007	0 ~ 23	20				
25		35	18										36	50		0 ~ 30	25				
28	+0.025	36	20	12	16	8	10.5	10	2.0	10	3.5	CB10—30	36	50	0	0 ~ 37	30				
32	+0.020	40	23										40	55	+0.5	0 ~ 47	35				
38	+0.030	49	27										48	64	-0.008						
45	+0.025	55	32	15	18	10	12.5	12	2.0	12	4.0	CB12—35	55	74	0						
50	+0.035	62	35										60	83	0						
60	+0.030	72	42										70	95	-0.010						

■Installing the bushing (Adhesives P.940)

MBB	Devcon adhesive	—
LBB	Loctite adhesive	Loctite No.638 (LOC638)

■About high-rigidity ball guide post sets  
These products utilize a high-rigidity ball cage (MBSH, MBJH) containing approximately 1.6 times more balls, achieving rigidity that is nearly equivalent to that of a plain guide at low cost.

Catalog No.	Type	D	L					② MBB·LBB		RL	FL 10mm increments		
			Type	BL									
RBSH		20	80	90	100	110	120	M (MBB) L (LBB)	50	50	40 ~ 140		
RMSH		22	80	90	100	110	120		50	50	40 ~ 140		
RKSH									60	60			
QBSH		25	80	90	100	110	120		60	60	40 ~ 150		
QMSH									75	75			
QKSH		28	100	110	120	130	140		150	160	60	60	50 ~ 150
RB											75	75	
RM											80	80	
RK		32	120	130	140	150	160		75	75	70 ~ 190		
QB									90	90			
QM		38	140	150	160	170	180		75	75	80 ~ 190		
QK									90	90			
		45	140	150	160	170	180	90	90	80 ~ 190			
								100	100				
		50	160	170	180	200	100	100	80 ~ 190				
							110	110					
		60	160	170	180	200	100	100	80 ~ 190				
							110	110					



Type	M	S
MRP	M SUJ2	M S45C (Cap)
BRPM	S 58HRC ~	(Induction hardening)
BRPK	M S45C	S Black oxide (Fe <sub>3</sub> O <sub>4</sub> )
STM	M S45C	S Black oxide (Fe <sub>3</sub> O <sub>4</sub> )
STK	M S45C	S Black oxide (Fe <sub>3</sub> O <sub>4</sub> ) Accessories CB

Type	M	S
MBB	M SUJ2	M 58HRC ~
LBB	M SUJ2	M 58HRC ~
MBSH	M A5056 (Aluminum)	
MBS	M A5056 (Aluminum)	

Type	M
MBJH	M Polyacetal resin (POM)
MBJ	M Polyacetal resin (POM)
SWP	M SWP—B

GUIDE POSTS & BUSHINGS FOR DIE SETS