


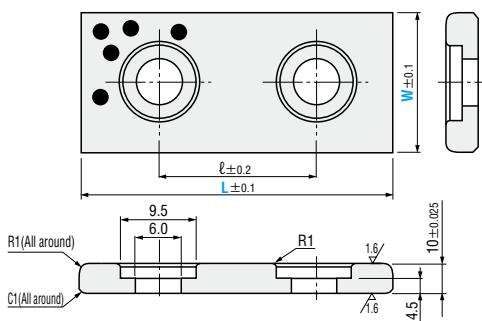
OIL-FREE SLIDE PLATES


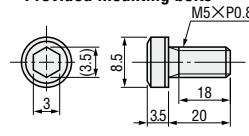
— COPPER ALLOY 10mm COMPACT TYPE —




OIL-FREE SLIDE PLATES

— COPPER ALLOY 10mm HIGH SURFACE PRESSURE TYPE —

RoHS **STS**

- Slide direction 
- The use of initial break-in greasing will make the product more effective.
- Provided mounting bolts 

 Copper alloy
 Special solid lubricant (embedded)
 Low head screws CBS5-20


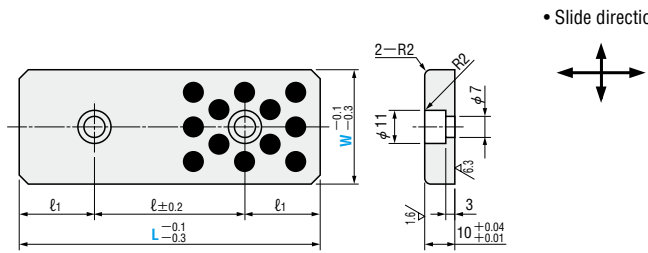
ℓ	Catalog No.	W	L	
14	STS	15	30	
20			40	
30			50	
50			75	
14			18	30
20				40
30		50		
50		22	30	
20			40	
30			50	
50		75		

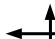
Order  **Catalog No.** STS **W** 18 — **L** 50


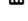
Days to Ship  **Quotation**

Price  **Quotation**

STCW






- Slide direction 


 Copper alloy
 Special solid lubricant (embedded)

☝ Mounting bolt M6×15

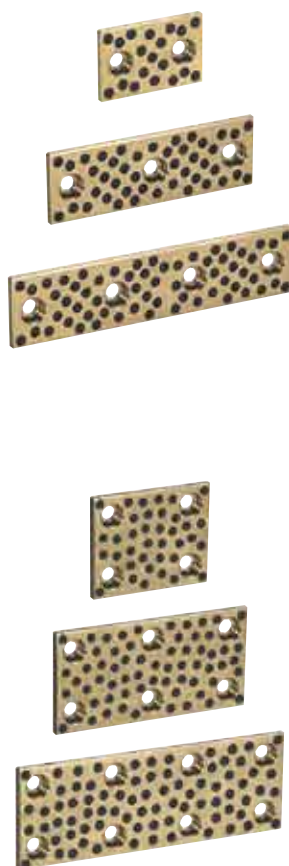
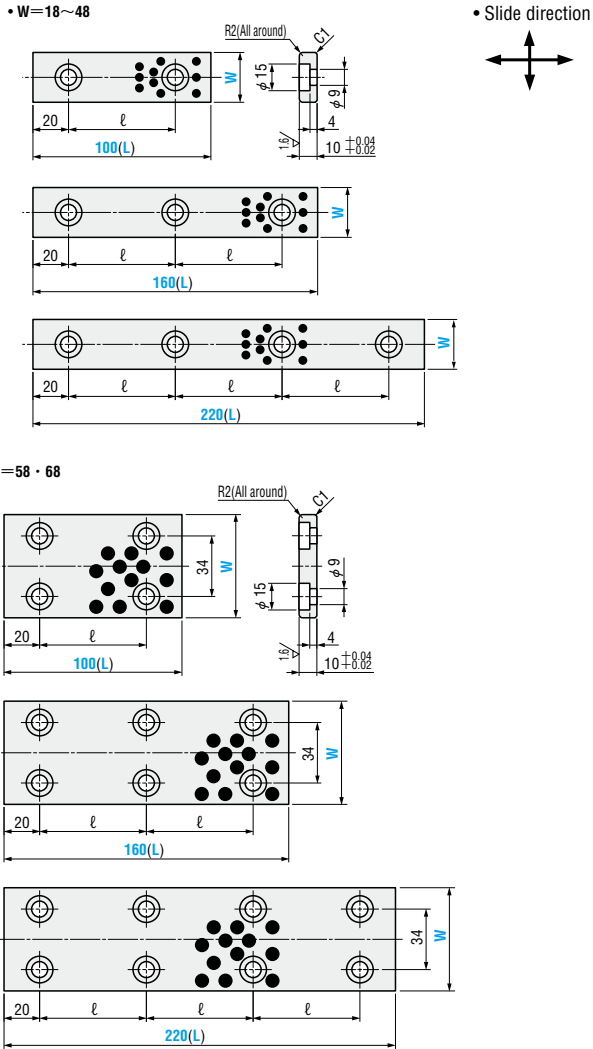
ℓ	ℓ ₁	Catalog No.	W	L
45	15	STCW	18	75
50	25			100
75				125
100	150			
45	15			75
50				25
75			125	
100	150			
45	15		38	75
50				100
75				125
100	25		48	75
45		100		
50		125		
75	150			


Order  **Catalog No.** STCW **W** 18 — **L** 75


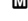
Days to Ship  **Quotation**

Price  **Quotation**

STWH






- Slide direction 


 Copper alloy
 Special solid lubricant (embedded)

☝ Mounting bolts Low head screws M8×15

ℓ	Catalog No.	W	(L)					
60	STWH	18	100					
			160					
			220					
			100					
			160					
			220					
		28	48	220	100			
					160			
					220			
					38	58	68	100
								160
								220

Order  **Catalog No.** STWH **W** 48 — **(L)** 220

Days to Ship  **Quotation**

Price  **Quotation**