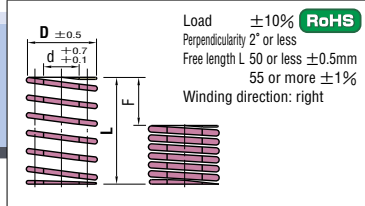
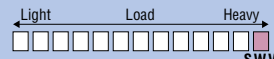


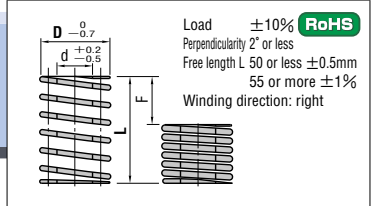
# COIL SPRINGS

—SWV—



# COIL SPRINGS

—SWX FOR HIGH-SPEED APPLICATIONS—



D	d	L	Spring constant			Catalog No.	Base unit price
			N/mm (kgf/mm)	Fmm	Load N (kgf)		
10	5	30	204 {21}	3.2	3.6	SWV10-30	1~19 pieces
			35 {17.5}	3.7	4.2		
			40 {15.3}	4.2	4.6		
			45 {13.6}	4.7	5.2		
			50 {12.3}	5.3	5.9		
			55 {11.1}	5.8	6.6		
12	6	30	306 {31}	3.2	3.6	SWV12-30	1~19 pieces
			35 {26.3}	3.7	4.2		
			40 {23}	4.2	4.6		
			45 {20.4}	4.7	5.2		
			50 {18.4}	5.3	5.9		
			55 {16.7}	5.8	6.6		
14	7	30	396 {40}	3.2	3.6	SWV14-30	1~19 pieces
			35 {34}	3.7	4.2		
			40 {29.7}	4.2	4.6		
			45 {26.4}	4.7	5.2		
			50 {23.8}	5.3	5.9		
			55 {21.6}	5.8	6.6		
16	8	30	455 {46}	3.7	4.2	SWV16-35	1~19 pieces
			40 {39.8}	4.2	4.6		
			45 {35.4}	4.7	5.2		
			50 {31.9}	5.3	5.9		
			55 {29}	5.8	6.6		
			60 {26.6}	6.3	7.2		
18	9	30	560 {57}	3.7	4.2	SWV18-35	1~19 pieces
			40 {49}	4.2	4.6		
			45 {43.6}	4.7	5.2		
			50 {39.2}	5.3	5.9		
			55 {35.7}	5.8	6.6		
			60 {32.7}	6.3	7.2		
20	10	30	619 {63}	4.2	4.8	SWV20-40	1~19 pieces
			45 {55}	4.7	5.4		
			50 {49.5}	5.3	6.0		
			55 {45}	5.8	6.6		
			60 {41.3}	6.3	7.2		
			65 {38.1}	6.8	7.8		
22	11	30	765 {78}	4.2	4.8	SWV22-40	1~19 pieces
			45 {68}	4.7	5.4		
			50 {61.2}	5.3	6.0		
			55 {55.6}	5.8	6.6		
			60 {51}	6.3	7.2		
			65 {47.1}	6.8	7.8		
25	12.5	30	848 {86}	5.3	6.0	SWV25-50	1~19 pieces
			55 {77.1}	5.8	6.6		
			60 {70.7}	6.3	7.2		
			65 {65.3}	6.8	7.8		
			70 {60.6}	7.4	8.5		
			75 {56.6}	7.9	9.1		

D	d	L	Spring constant			Catalog No.	Base unit price
			N/mm (kgf/mm)	Fmm	Load N (kgf)		
27	13.5	30	910 {93}	5.8	6.6	SWV27-55	1~19 pieces
			60 {834}	6.3	7.2		
			65 {770}	6.8	7.8		
			70 {715}	7.4	8.4		
			75 {667}	7.9	9.0		
			80 {626}	8.4	9.6		
30	15	30	1086 {111}	5.8	6.6	SWV30-55	1~19 pieces
			60 {996}	6.3	7.2		
			65 {919}	6.8	7.8		
			70 {853}	7.4	8.4		
			75 {797}	7.9	9.0		
			80 {747}	8.4	9.6		
35	17.5	30	1267 {129}	5.8	6.6	SWV35-55	1~19 pieces
			60 {1162}	6.3	7.2		
			65 {1072}	6.8	7.8		
			70 {996}	7.4	8.4		
			75 {929}	7.9	9.0		
			80 {871}	8.4	9.6		
40	20	30	1720 {175}	5.8	6.6	SWV40-55	1~19 pieces
			60 {1577}	6.3	7.2		
			65 {1456}	6.8	7.8		
			70 {1352}	7.4	8.4		
			75 {1261}	7.9	9.0		
			80 {1183}	8.4	9.6		
50	25	30	2366 {241}	6.3	7.2	SWV50-60	1~19 pieces
			65 {2184}	6.8	7.8		
			70 {2028}	7.4	8.4		
			75 {1893}	7.9	9.0		
			80 {1774}	8.4	9.6		
			90 {1577}	9.5	10.8		

● Load calculation method: Load=Spring constant×Deflection  
(SI unit) N=N/mm×Fmm  
kgf=kgf/mm×Fmm  
(kgf=N×0.101972)

Product guide P.1396  
Load graph P.1432  
Instructions and precautions for the use of coil springs P.1397  
Clearance of D dim. and counterbore hole, and of d dim. and shaft P.1397

Order **Catalog No.**  
SWV25-80

Days to Ship **Quotation**

Price **Quotation**

D	d	L	Spring constant		Catalog No.	Base unit price
			N/mm (kgf/mm)	Fmm		
20	9.5	25	510 {52}	2.5	SWX20-25	1~19 pieces
			30 {425}	3.0		
			35 {363}	3.5		
			40 {319}	4.0		
			45 {283}	4.5		
			50 {255}	5.0		
22	10.5	25	628 {64}	2.5	SWX22-25	1~19 pieces
			30 {523}	3.0		
			35 {448}	3.5		
			40 {392}	4.0		
			45 {349}	4.5		
			50 {314}	5.0		
25	12	25	785 {80}	2.5	SWX25-25	1~19 pieces
			30 {654}	3.0		
			35 {560}	3.5		
			40 {490}	4.0		
			45 {435}	4.5		
			50 {392}	5.0		
27	13	25	941 {96}	2.5	SWX27-25	1~19 pieces
			30 {785}	3.0		
			35 {673}	3.5		
			40 {588}	4.0		
			45 {523}	4.5		
			50 {471}	5.0		

D	d	L	Spring constant		Catalog No.	Base unit price
			N/mm (kgf/mm)	Fmm		
30	14.6	25	1432 {146}	2.5	SWX30-25	1~19 pieces
			30 {1193}	3.0		
			35 {1023}	3.5		
			40 {895}	4.0		
			45 {795}	4.5		
			50 {716}	5.0		
35	18	40	1030 {105}	4.0	SWX35-40	1~19 pieces
			45 {915}	4.5		
			50 {824}	5.0		
			55 {749}	5.5		
			60 {687}	6.0		
			70 {588}	7.0		
40	20.5	40	1300 {132.5}	4.0	SWX40-40	1~19 pieces
			45 {1155}	4.5		
			50 {1040}	5.0		
			55 {945}	5.5		
			60 {866}	6.0		
			70 {743}	7.0		

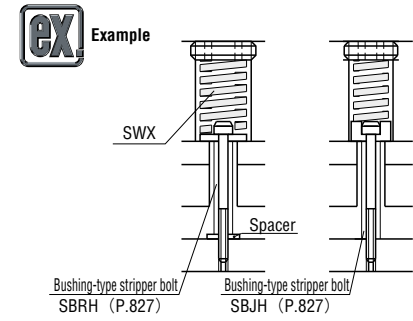
● Load calculation method: Load=Spring constant×Deflection  
(SI units) N=N/mm×Fmm  
kgf=kgf/mm×Fmm  
(kgf=N×0.101972)

Product guide P.1396  
Instructions and precautions for the use of coil springs P.1397  
Clearance of D dim. and counterbore hole, and of d dim. and shaft P.1397

Order **Catalog No.**  
SWX20-50

Days to Ship **Quotation**

Price **Quotation**



Features  
● SWX springs were developed for high-speed applications, with the focus on achieving a high operation count (high durability).  
● Because this type is not coated, it can be used in a clean room.

