
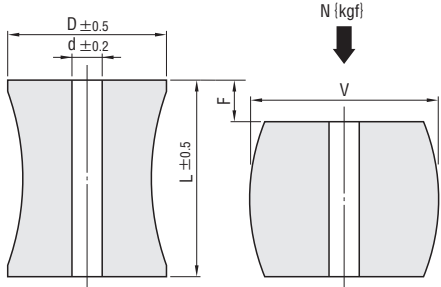


URETHANES FOR HEAVY LOAD

SQUARE URETHANES FOR HEAVY LOAD / URETHANE STOCK BLOCKS



EX



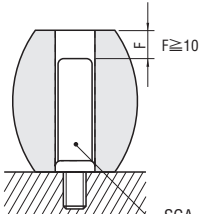
Product guide P.1501
Products data P.1517

Shore A90

F=L×20%		F=L×25%		F=L×30%		D	d	L	Catalog No.	Base unit price 1~19 pieces
F mm	Load N (kgf)	F mm	Load N (kgf)	F mm	Load N (kgf)					
12	6865	15	8924	18	12749	58	50	14	62	EX 5146
16	{700}	20	{910}	24	{1300}				82	EX 5148
12	9807	15	13239	18	18633	70	60	20	62	EX 6206
16	{1000}	20	{1350}	24	{1900}				82	EX 6208
16	19123	20	26478	24	39227	92	80	20	82	EX 8208
20	{1950}	25	{2700}	30	{4000}				103	EX 82010
16	27949	20	38736	24	54427	114	100	20	82	EX 10208
20	{2850}	25	{3950}	30	{5550}				103	EX 102010
24		30		36					123	EX 102012

●Load (kgf) = Load (N) × 0.101972

ex Example



SGA P.1437


Order **Catalog No.**
EX 8208

Days to Ship **Quotation**

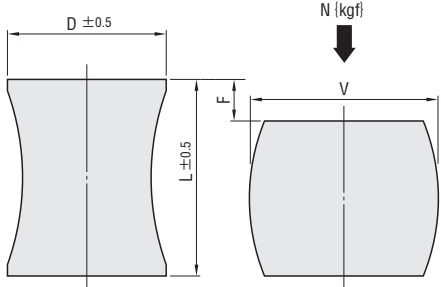
Price **Quotation**

Alterations **Catalog No.** — (C1)
EX 8208 — C1
Quotation

Alteration	Code	Spec.	1Code
	C1	C1 chamfering on inner diameter	Quotation



EX



Product guide P.1501
Products data P.1517

Shore A90


F=L×20%		F=L×25%		F=L×30%		D	L	Catalog No.	Base unit price 1~19 pieces
F mm	Load N (kgf)	F mm	Load N (kgf)	F mm	Load N (kgf)				
12	7551	15	9807	18	14710	58	50	62	EX 5060
16	{770}	20	{1000}	24	{1500}			82	EX 5080
12	11082	15	15004	18	21575	70	60	62	EX 6060
16	{1130}	20	{1530}	24	{2200}			82	EX 6080
16	20104	20	27753	24	41188	92	80	82	EX 8080
20	{2050}	25	{2830}	30	{4200}			103	EX 80100
16	29420	20	41188	24	61292	114	100	82	EX 10080
20	{3000}	25	{4200}	30	{6250}			103	EX 100100
24		30		36				123	EX 100120

●Load (kgf) = Load (N) × 0.101972

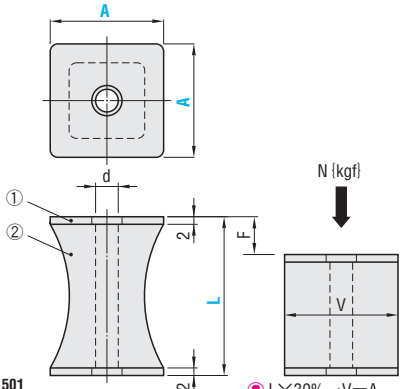
Order **Catalog No.**
EX 100100

Days to Ship **Quotation**

Price **Quotation**



QX



Product guide P.1501

① SS400
② Urethane
Shore A90

L×30%→V=A

F=L×20%		F=L×25%		F=L×30%		d	Type	Catalog No.	Base unit price 1~19 pieces
F mm	Load N (kgf)	F mm	Load N (kgf)	F mm	Load N (kgf)				
12	9807	15	13239	18	18633	14	QX	60	62
16	{1000}	20	{1350}	24	{1900}			82	
12	13729	15	18633	18	25497			70	62
16	{1400}	20	{1900}	24	{2600}			82	
18	25497	23	35304	27	49033	20	QX	92	82
16	25497	20	35304	24	49033			95	103
20	{2600}	25	{3600}	30	{5000}			103	
24		30		36				123	
20	39227	25	53937	30	73550			120	103
24	{4000}	30	{5500}	36	{7500}			123	
28		35		42				143	

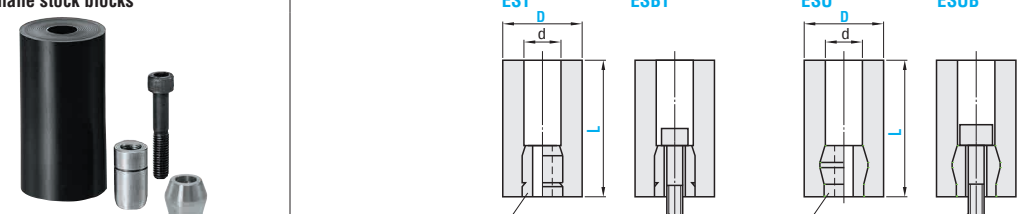
●Load (kgf) = Load (N) × 0.101972

Order **Catalog No.**
QX 70—92

Days to Ship **Quotation**

Price **Quotation**

Urethane stock blocks



Product guide P.1501

Shore A90

d	Urethane	①		②	Catalog No.		Base unit price 1~9 pieces
		EST-ESBT	ESU-ESUB		Type	D—L	
14	E40—80	S14	SU14	CB8—45 (1 piece)	*	40—80	Quotation
	E50—110				50—110		
	E70—140				70—140		
	E7022110				* 7022110		
22	E7022140	S22	SU22	CB12—55 (1 piece)	*	7022140	Quotation
	E90—120				90—120		
	E90—140				90—140		
	E100—140				100—140		
	E100—140				100—140		

● For ESU and ESUB, only the sizes marked with * are available. ● Applicable urethanes P.1506

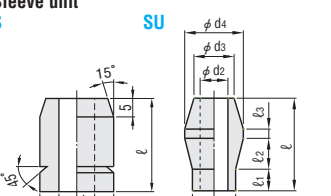
Order **Catalog No.**
EST 40—80

Days to Ship **Quotation**

Price **Quotation**

Sleeve unit

S



SS400

d1	d2	d3	d4	ℓ	ℓ1	ℓ2	ℓ3	Urethane d	Catalog No.	Base unit price 1~19 pieces
16	9	—	—	30	—	—	—	14	S14	Quotation
24	13	—	—	35	—	—	—	22	S22	
24	13	—	—	100	—	—	—	22 (L170 or more)	S22—100	
14	9	13	19	30	7	10	3	14	SU14	
22	13	20	27					22	SU22	

Order **Catalog No.**
S 14

Days to Ship **Quotation**

Price **Quotation**

URETHANE SPRINGS